

04-05-00

IN THE UNITED STATES PATENT AND TRADEMARK OFFICE

A

Applicant(s): Barry Voroba and Marlyn J. Anderson

Patent No.: 129.0010 0101

LOW POWER INFRARED PORTABLE COMMUNICATION SYSTEM WITH WIRELESS RECEIVER AND METHODS REGARDING SAME

04/04/00
15 U.S. PTO

15 U.S. PTO
09/542708
04/04/00

Commissioner for Patents
ATTN: Box Patent Application
Washington, D.C. 20231


We are transmitting the following documents along with this Transmittal Sheet (which is submitted in triplicate):

- Utility Patent Application: Specification (29 pgs); Claims (41 claims on 10 pgs); 1 pg Abstract.
- 13 Sheets of informal drawings.
- A signed Declaration and Power of Attorney (3 pgs).
- A return postcard.
- Verified statement establishing small entity status of this application under 37 C.F.R. §§1.9 and 1.27 is enclosed (1 pg.)
- An Assignment of the invention to MicroTalk Technologies, Inc. and Recordation Form Cover Sheet (3pgs.).
- A check in the amount of \$40.00 to cover the Assignment Recording Fee.
- A check in the amount of \$ 573 to cover the filing fee, which is calculated below:

APPLICATION FILING FEE					
	Number of Claims Filed (1)	Claims Included in Basic Filing Fee (2)	Number of Extra Claims (1-2)	Cost per Extra Claim	Fee Required
Total Claims	41	20	21	x \$9 =	189
Independent Claims	4	3	1	x \$39 =	39
One or More Multiple Dependent Claims Presented? If Yes, Enter \$130 Here →					
Enter Basic Filing Fee (Utility Patent-\$345/Design Patent-\$155) Here →					345
Total Application Filing Fee					573

Please consider this a PETITION FOR EXTENSION OF TIME for a sufficient number of months to enter these papers and please charge any additional fees or credit overpayment to Deposit Account No. 13-4895. Triplicate copies of this sheet are enclosed.

MUETING, RAASCH & GEBHARDT, P.A.
P.O. Box 581415, Minneapolis, MN 55458 (612-305-1220)


By: 
Name: Mark J. Gebhardt
Reg. No.: 35,518
Direct Dial: 612-305-1216
Facsimile: 612-305-1228

CERTIFICATE UNDER 37 CFR §1.10:

"Express Mail" mailing label number: EL518336595US

Date of Deposit: 4 April 2000

I hereby certify that this paper or fee is being deposited with the United States Postal Service "Express Mail Post Office to Addressee" service under 37 CFR §1.10 on the date indicated above and is addressed to the Commissioner for Patents, Attn: Box Patent Application, Washington, D.C. 20231.

By: 
Name: Anne M. Richards

(SMALL ENTITY TRANSMITTAL UNDER RULE 1.10)

04/04/00 11.46 FAX 812 305 1228

MUETING AND RAASCH

002

Docket No. 129.0010 0101

SMALL BUSINESS

VERIFIED STATEMENT (DECLARATION) CLAIMING SMALL ENTITY STATUS (37 C.F.R. §§1.9(f) AND 1.27(c)) - SMALL BUSINESS CONCERN

I hereby declare that I am

- a) the owner of the small business concern identified below;
- b) an official of the small business concern empowered to act on behalf of the concern identified below:

NAME OF CONCERN: MicroTalk Technologies, Inc.
 ADDRESS OF CONCERN: 10001 Wyzata Blvd., Suite 210
Minnetonka, Minnesota 55305

I hereby declare that the above-identified small business concern qualifies as a small business concern as defined in 13 C.F.R. §121.3-18, and reproduced in 37 C.F.R. 1.9(d), for purposes of paying reduced fees under Sections 41(a) and (b) of Title 35, United States Code, in that the number of employees of the concern, including those of its affiliates, does not exceed 500 persons. For purposes of this statement, (1) the number of employees of the business concern is the average over the previous fiscal year of the concern of the persons employed on a full-time, part-time, or temporary basis during each of the pay periods of the fiscal year, and (2) concerns are affiliates of each other when either, directly or indirectly, one concern controls or has the power to control the other, or a third party or parties controls or has the power to control both.

I hereby declare that rights under contract or law have been conveyed to and remain with the small business concern identified above with regard to the invention, entitled **LOW POWER INFRARED PORTABLE COMMUNICATION SYSTEM WITH WIRELESS RECEIVER AND METHODS REGARDING SAME** by inventors Barry Voroba and Marilyn J. Anderson described in

- a) the specification filed herewith.
- b) application serial no. _____, filed _____.
- c) patent no. _____, issued _____.

If the rights held by the above-identified small business concern are not exclusive, each individual, concern, or organization having rights to the invention is listed below* and no rights to the invention are held by any person, other than the inventor(s), who could not qualify as an independent inventor(s) under 37 C.F.R. §1.9(c) or by any concern that would not qualify as a small business concern under 37 C.F.R. §1.9(d) or a nonprofit organization under 37 C.F.R. §1.9(e). *NOTE: Separate verified statements are required from each named person, concern, or organization having rights to the invention averring to their status as small entities. (37 C.F.R. §1.27)

NAME _____
 ADDRESS _____
 INDIVIDUAL SMALL BUSINESS CONCERN NONPROFIT ORGANIZATION

NAME _____
 ADDRESS _____
 INDIVIDUAL SMALL BUSINESS CONCERN NONPROFIT ORGANIZATION

I acknowledge the duty to file, in this application or patent, notification of any change in status resulting in loss of entitlement to small entity status prior to paying, or at the time of paying, the earliest of the issue fee or any maintenance fee due after the date on which status as a small entity is no longer appropriate. (37 C.F.R. §1.28(b))

I hereby declare that all statements made herein of my own knowledge are true and that all statements made on information and belief are believed to be true, and further that these statements were made with the knowledge that willful false statements and the like so made are punishable by fine or imprisonment, or both under Section 1001 of Title 18 of the United States Code, and that such willful false statements may jeopardize the validity of the application, any patent issuing thereon, or any patent to which this verified statement is directed.

NAME BARRY VOROBA
 TITLE C.E.O.
 ADDRESS 10001 Wyzata Blvd., Suite 210, Minnetonka, Minnesota 55305

SIGNATURE Barry Voroba DATE April 4, 2000

000000-80424550

**LOW POWER INFRARED PORTABLE COMMUNICATION SYSTEM
WITH WIRELESS RECEIVER AND METHODS REGARDING SAME**

Field of the Invention

The present invention pertains to portable communication systems. More particularly, the present invention relates to an infrared (IR) portable system that employs an infrared wireless receiver and/or an IR wireless transmitter.

Background of the Invention

Short range, wireless transmission of audio is an established and convenient manner for users to listen to sound sources such as television, stereo and computer multimedia devices without disturbing others. Typically, such privacy listening systems employ one or two earphones mounted into a headset that contains the receiver circuitry and power supply.

Generally, wireless communication systems use one of acoustic, radio frequency, infrared, and inductive techniques for short range transmission of audio. Radio frequency and infrared signal transmission are most commonly used for such short range transmission; however, magnetic induction is also used as described in U.S. Patent 5,774,791 to Strohallen et al., entitled "Low Power Wireless Communication System Employing Magnetic Control Zones," issued 30 June 1998.

As described in U.S. Patent 5,774,791, a receiver configured as a behind the ear (BTE) hearing aid, an in the ear (ITE) hearing aid, or as a cordless headset is described. A transmitter unit, which may include a microphone for picking up external sounds, modulates audio sound to drive a magnetic transmission element, e.g., a neck loop, for transmission to the receiver. The receiver, which includes a magnetic receiving element, demodulates the received signal to provide a sound output to the user. In one embodiment of U.S. Patent 5,774,791, a headset which includes the receiver containing the magnetic receiving element, also may include

an infrared (IR) transmitter for transmitting signals back to a base station for two-way communication.

Various types of phones are available, such as cordless phones, cordless cellular phones, corded phones, etc. In particular, cellular phone usage has
5 increased dramatically over the years. Most hand-held radiotelephones, such as mobile phones, or cordless telephones are designed to assume at least the size of a conventional handset during operation, e.g., a fixed handset configuration or a flip phone configuration, with the antenna being in close proximity to the user's head. Recently, health concerns over cell phone radiation and the safety concerns over use
10 of the cell phones while driving (e.g., desire for hands free operation) invite significant new development in this technology.

Several earpiece receivers have been described for phones even though the generally sizeable circuitry and battery power requirements for IR receivers pose a significant challenge to subminiaturization and have generally precluded the use of
15 a comfortable and convenient subminiature earpiece. For example, U.S. Patent No. 5,881,149 to Weatherill, entitled "Portable Communications Device With Wireless Transmitter and Detachable Earpiece Including a Wireless Receiver," issued 9 March 1999, describes a portable communication device, i.e., a phone, having a detachable receiver part which can be placed against the ear for use. The portable
20 communications device has an integral transmitter for communicating with the detachable receiver part. Further, U.S. Patent No. 5,966,643 to Radley, entitled "Hand-Held Radiotelephone Having Two-Part Construction," issued 12 October 1999, describes a radiotelephone having an earpiece that is spatially separated from the other components of the radiotelephone and includes an IR receiver. The
25 housing of the handheld radiotelephone includes an IR transmitter, i.e., the transmitter is integral with the radiotelephone.

It will be recognized that in each example, the transmitter is integral with the phone. As such, the external wireless earpiece receiver will only function with a particular type of phone.

Further, IR systems have been criticized for being restricted to line of sight communications. While line of sight communications provide for a relatively secure communication link, IR communications have been described as requiring considerable power. For example, the amount of power required by an IR receiver is generally proportional to the ambient light conditions in the user area and the range or distance from the transmitter. Thus, as the ambient light level increases, the power that is needed generally increases. In a like manner, as the range or distance from the transmitter to the receiver increases the power required also increases.

Summary of the Invention

A portable communication system and components thereof are provided according to the present invention to overcome one or more of the problems described above. The system according to the present invention provides a universal transmitter that mechanically couples to a communication device having a sound output, e.g., a cellular phone handset, and which transforms the sound output into infrared signals for transmission to a wireless receiver. Thus, at least for cellular phones, the type of phone or wire handset is generally irrelevant and the transmitter can be used with numerous types of phones and handsets. A direct input to the transmitter from the sound output of the communication device provides privacy listening. Further, pulse code modulation provides the system according to the present invention with very low power consumption while achieving high quality IR communication. In addition, several designs of a receiver for BTE positioning or ITE positioning are described.

A portable communication system according to the present invention for use with a communication apparatus having a sound output device includes an infrared transmitter apparatus. The infrared transmitter apparatus comprises a microphone to generate an audio signal from received sound input, at least one infrared light emitting device, modulation circuitry operable to convert the audio signal to one or more constant width electrical pulses (e.g., less than about 2 microseconds in

004070-302450

duration, preferably less than about 1 microsecond in duration) to drive the infrared light emitting device to transmit one or more corresponding constant width infrared pulses, and a transmitter housing enclosing the microphone and modulation circuitry and upon which the infrared light emitting device is mounted. The transmitter housing is configured to be removably coupled to the communication apparatus such that the microphone is positioned adjacent the sound output device of the communication apparatus. The system further includes an infrared receiver apparatus. The infrared receiver apparatus includes an infrared light detection device to detect the one or more corresponding infrared pulses and generate one or more electric signals representative of the detected infrared pulses, a speaker, demodulation circuitry operable to convert the one or more electric signals representative of the detected infrared pulses to an audio signal to power the speaker to produce a sound output, and a receiver housing enclosing the speaker and the demodulation circuitry and upon which the infrared light detection device is mounted. The receiver housing is formed to be self-supported entirely by the ear of a user.

In various embodiments of the system, the transmitter housing may be sized for positioning of the microphone adjacent a speaker of a phone apparatus, the transmitter housing may include structure for removably attaching the housing to the phone apparatus (e.g., an opening sized to fit over an end of a phone apparatus or an adjustable band element to attach the housing to a phone apparatus), the receiver housing may include an in the ear receiver housing securable within the concha of the ear, and the receiver housing may include a behind the ear receiver housing securable by the pinna of the ear.

In another embodiment of the system, the modulation circuitry includes pulse width modulation circuitry to convert the audio signal using a carrier signal to one or more width modulated pulses. The width of the one or more pulses is varied as a function of the audio signal. The circuitry further includes an edge detect circuit to detect the edges of the one or more width modulated pulses and to

generate constant width pulses based on the detected edges. In addition, the circuitry includes a pulse driver circuit to drive the infrared light emitting device.

In another embodiment, the demodulation circuitry includes pulse detection circuitry (e.g., an amplifier configuration and a comparator) to convert the one or more electrical signals representative of the detected infrared pulses to one or more constant width pulses based thereon. Pulse width convertor circuitry (e.g., a flip flop) converts the one or more constant width pulses to one or more width modulated pulses and pulse width demodulation circuitry converts the one or more width modulated pulses to an audio signal for application to the speaker.

The receiver of the system may also include missing pulse detection circuitry that includes detection circuitry to detect the absence of one or more constant width pulses and disable circuitry to disable one or more components of the receiver upon detection of the absence of one or more constant width pulses. In addition, the transmitter of the system may include a sound activated power circuit to power one or more components of the transmitter upon detection of sound input.

A portable infrared transmitter apparatus for use with a communication apparatus having a sound output device is also provided. The transmitter apparatus includes a microphone to generate an audio signal from received sound input, at least one infrared light emitting device, modulation circuitry operable to convert the audio signal to one or more constant width electrical pulses to drive the infrared light emitting diode for transmission of one or more corresponding constant width infrared pulses, and a transmitter housing enclosing the microphone and modulation circuitry and upon which the at least one infrared light emitting device is mounted. The transmitter housing is configured to be removably coupled to the communication apparatus such that the microphone is positioned adjacent the sound output device of the communication apparatus.

In various embodiments of the transmitter apparatus, the transmitter housing may be sized for positioning of the microphone adjacent a speaker of a phone apparatus and the transmitter housing may include structure for removably attaching the housing to the phone apparatus (e.g., an opening sized to fit over an end of a

phone apparatus or an adjustable band element to attach the housing to a phone apparatus).

5 A portable infrared receiver apparatus according to the present invention is also described. The receiver apparatus includes an infrared light detection device to detect one or more infrared pulses and to generate one or more electric signals representative of the detected infrared pulses, a speaker, and demodulation circuitry operable to convert the one or more electric signals representative of the detected infrared pulses to an audio signal to power the speaker to produce a sound output. The demodulation circuitry includes pulse detection circuitry to convert the one or more electrical signals representative of the detected infrared pulses to one or more constant width pulses based thereon, pulse width convertor circuitry to convert the one or more constant width pulses to one or more width modulated pulses, and pulse width modulation circuitry to convert the one or more width modulated pulses to an audio signal for application to the speaker. The receiver apparatus further comprises a receiver housing enclosing the speaker and the demodulation circuitry and upon which the infrared light detection device is mounted. The receiver housing is formed to be self-supported entirely by the ear of a user.

10
15
20
25 Several receiver housings according to the present invention are also described. In one embodiment, the receiver housing includes an in the ear receiver housing securable within the concha of the ear. The receiver housing includes a speaker portion enclosing at least a speaker and a power source. The speaker portion has a compactable/expandable material about at least a portion thereof to support the receiver housing in the concha of the ear. The material is placed in a compacted state upon insertion in the concha of the ear and further the material expands to an expanded state to hold the receiver housing in the concha of the ear upon release from the compacted state. The receiver housing further includes an elongated portion extending from the speaker portion enclosing at least a portion of the demodulation circuitry. The infrared light detection device is positioned on the elongated portion.

007070-8024560

In another embodiment of a receiver housing, the receiver housing includes a behind the ear receiver housing securable by the pinna of the ear. The receiver housing includes a first portion that includes a behind the ear element to secure the receiver housing by the pinna of the ear and a speaker holding element extending from the behind the ear element. The speaker holding element has an opening defined therethrough and includes speaker contacts (e.g., mounted in the opening). The receiver housing includes a second portion encompassing the speaker. The second portion is sized to be retained within the opening and includes speaker contacts for mating with the speaker contacts of the speaker holding element.

A method of using a portable communication system with a phone apparatus having a sound output device is also described according to the present invention. The method includes providing a removable transmitter apparatus. The removable transmitter apparatus includes a microphone to generate an audio signal from received sound input, a transmitter device, modulation circuitry operable to convert the audio signal to an electrical signal to drive the transmitter device for transmission of signals representative of the audio signal, and a transmitter housing enclosing at least the microphone and modulation circuitry. The removable transmitter apparatus is secured to the phone apparatus such that the microphone is positioned adjacent the sound output device of the communication apparatus.

In one embodiment of the method, the removable transmitter apparatus includes an opening sized to fit over a portion of a phone apparatus. As such, the removable transmitter apparatus is secured to the phone apparatus by positioning the opening over the portion, e.g., an end portion of the phone. In another embodiment, the removable transmitter apparatus is secured to the phone apparatus by positioning a band of the removable transmitter apparatus about a perimeter of the phone apparatus. In yet another embodiment, the removable transmitter apparatus may be secured to the phone apparatus by using a two face adhering system, e.g., adhesive, hook and loop fasteners, etc. In another embodiment of the method, the removable transmitter apparatus is detached from the phone apparatus and secured to a different phone apparatus.

Brief Description of the Drawings

Figure 1 is a general block diagram illustration of a portable communication system according to the present invention.

Figure 2 is a block diagram of one illustrative embodiment of a portable communication system shown generally in Figure 1.

Figure 3 is a schematic diagram of one illustrative embodiment of an IR transmitter apparatus of a portable communication system shown generally in Figure 2.

Figure 4 is a schematic diagram of one illustrative embodiment of an IR receiver apparatus of a portable communication system shown generally in Figure 2.

Figure 5 is a waveform diagram used to illustrate the functions provided by the IR transmitter apparatus of Figure 3.

Figure 6 is a waveform diagram used to illustrate the functions provided by the IR receiver apparatus of Figure 4.

Figure 7A is a block diagram of an alternate IR transmitter apparatus of a portable communication system shown generally in Figure 1.

Figure 7B is a block diagram of an alternate IR receiver apparatus of a portable communication system shown generally in Figure 1.

Figure 8 is a waveform diagram used to illustrate the functions provided by the IR transmitter apparatus of Figure 7A.

Figure 9 is a waveform diagram used to illustrate the functions provided by the IR receiver apparatus of Figure 7B.

Figure 10 is a perspective view of an IR transmitter apparatus and an IR receiver apparatus of a system as shown in Figure 1 used with a phone apparatus.

Figure 11 is a more detailed perspective view of the IR transmitter apparatus of Figure 10 and the phone with which it can be used.

Figure 12A is a side view of the IR receiver apparatus of Figure 10.

Figure 12B is an exploded end view of the IR receiver apparatus of Figure 12A.

Figure 12C is a perspective rear view of a speaker portion of the IR receiver apparatus of Figure 12B.

Figure 13 is an illustrative view of an alternate embodiment of an IR transmitter apparatus having a band element for attachment to a phone apparatus.

5 Figure 14 is a side view of an alternate embodiment of an IR receiver apparatus, e.g., earbud.

Figure 15 is a an illustrative perspective view of a lapel IR transmitter apparatus useable with the communication system of Figure 1.

10 Figures 16A-16B are illustrations of corded IR transmitters and receivers usable with the communication system of Figure 1.

Detailed Description of the Embodiments

15 A portable communication system 10 according to the present invention shall be described generally with reference to Figure 1. Thereafter, various embodiments of the portable communication system 10 and components thereof or used therewith shall be described with reference to Figures 2-16.

20 As shown in Figure 1, portable communication system 10 includes an IR transmitter apparatus 12 which communicates by transmission of IR signals 13, preferably short IR pulses, with a portable IR receiver apparatus 14. Preferably, the IR transmitter is a universal wireless IR transmitter apparatus that mechanically couples to a communication device having a sound output source 16, e.g., a cellular phone handset, and which transforms the sound output into infrared signals 13 for transmission to the wireless receiver apparatus 14. It will be recognized that the present invention, or one or more portions of the invention as described herein, may be beneficially applied to various types of communication devices, e.g., televisions, computers, or any other apparatus having a sound output, electrical (e.g., the system of Figure 16B, a television, etc.) or acoustical (e.g., a cellular phone, a corded phone handset, etc.), to which a transmitter apparatus can be coupled.

25 The IR transmitter apparatus 12 includes a transmitter housing 28 in which are located a microphone 22 and modulation circuitry 26. One or more IR emitting

30

devices 24, e.g., IR light emitting diodes (LEDs), are positioned on the transmitter housing 28 for emission of IR signals 13 to the receiver apparatus 14. The microphone 22 is positioned for receiving sound output from an audio sound source 16. The audio source 16 may be any sound producing device of any communication apparatus, such as a television, a computer speaker, a radio, etc. Preferably, the sound source 16 is a speaker of a phone apparatus such as a handset, corded or wireless. More preferably, the audio sound source 16 is a speaker of a cellular phone.

The transmitter housing 28 is configured to be removably coupled by a coupling device 17 to the communication apparatus, e.g., cellular phone, such that the microphone 22 is positioned adjacent the sound output device 16, e.g., speaker of the phone. Preferably, the microphone 22 is isolated so as to receive only sound from the audio sound source 16 to reduce external noise. Various types of coupling devices 17 are described herein with reference to the figures. For example, as shown in Figure 11, the transmitter housing may be slipped over one end of a cellular phone, e.g., cap piece mounting. Further, for example, as shown in Figure 13, the transmitter housing may include a band to wrap around a cellular phone. However, such coupling may be provided by any number of techniques. For example, two face mounting such as with the use of adhesive or hook and loop fasteners may be used, or any other mounting structure that allows the transmitter to be removed and used on another phone may be suitable. Compatibility of the transmitter apparatus for use with multiple communication apparatus, e.g., phones, is preferred.

The microphone 22 generates an audio signal from the received sound to be applied to the modulation circuitry 26. The modulation circuitry 26 provides a modulated signal to drive the IR light emitting device 24 for transmission of IR signals. Preferably, the modulation circuitry 26 is operable to convert the audio signal into a stream of electrical pulses to drive the IR light emitting device 24. Preferably, the audio signal is converted into a stream of constant width electrical pulses to drive the IR light emitting device 24 to transmit one or more

corresponding constant width infrared pulses 13. Preferably, the pulse duration is less than about 2 microsecond. More preferably, the pulse duration is less than about 1 microsecond. The use of short pulses in the transmission of IR pulses, allows the power of such pulses to be increased without exceeding the average
5 power rating of the IR light emitting device, e.g., IR LED.

The infrared receiver apparatus 14 includes an infrared light detection device 32 (e.g., an IR sensitive photodiode), demodulation circuitry 36 and a speaker 34. The infrared light detection device 32 detects the IR signal transmitted by IR transmitter apparatus 12. Preferably, the infrared light detection device 32 detects
10 infrared pulses transmitted thereby. The IR light detection device 32 generates one or more electrical signals representative of the detected infrared pulses. The one or more electrical signals are applied to demodulation circuitry 36. Demodulation circuitry 36 is operable to convert the one or more electric signals representative of the detected infrared signals, e.g., pulses, to an audio signal to power the speaker to
15 produce a sound output to be provided to the ear 18 of a user. One skilled in the art will recognize that any modulation and demodulation circuitry may be used for providing communication according to the present invention as long as they are compatible circuits, i.e., the demodulator circuitry is capable of demodulating the modulated signal. For example, several modulation and demodulation techniques
20 are described herein with reference to Figures 2-9. Further, other modulation techniques are described in U.S. Patent No. 5,774,791.

The IR receiver apparatus 14 further includes a portable receiver housing 19. The receiver housing 19 encloses the speaker 34 and the demodulation circuitry 36. The infrared light detection device 32 is mounted on the receiver housing 19.
25 Further, preferably, the receiver housing 19 is formed to be self-supported entirely by the ear of a user. Preferably, the receiver housing 19 is either securable within the concha of the ear or the receiver housing 19 includes a behind the ear element securing the receiver housing 19 by the pinna of the ear. Various configurations of a receiver housing 19 according to the present invention are described herein with
30 reference to Figures 12 and 14. However, other forms are contemplated in

accordance with the present invention and the universal transmitter 12 as described herein may be used with any wireless receiver configuration, including in the ear or behind the ear configurations as well as wireless headsets.

5 The portable nature of the IR communication system 10 is attained at least in part through the selection of appropriate modulation and demodulation circuitry. For example, large power requirements for such circuitry generally force an increase in the size of the IR transmitter apparatus and IR receiver apparatus. As such, lower power techniques are used to reduce the size of the components of the present invention, e.g., require less and/or smaller batteries. Further, the complexity
10 of the modulation and demodulation circuitry tends to increase part count leading to a larger size IR transmitter apparatus and IR receiver apparatus as well as to an increase in the cost for the system components. The following description of modulation and demodulation circuitry provided with reference to Figures 2-9 provides simple and low power techniques to reduce the size of the transmitter
15 apparatus and receiver apparatus of a portable communication system 10.

Figure 2 shows a block diagram of one illustrative embodiment of a portable communication system 60. The portable communication system 60 of Figure 2 includes modulation circuitry 61 to convert an audio signal 63 from a microphone
20 62 to a stream of electrical pulses 72 for driving an IR LED 74 to transmit IR pulses 80. An IR photodiode 88 detects the IR pulses 80 and generates one or more electrical signals 89 representative of the detected IR pulses. The portable communication system 60 further includes demodulation circuitry 81 to convert the electrical signals to an audio signal 97 to power the speaker 98.

The modulation circuitry 61 includes pulse width modulation circuit 67,
25 edge detect circuit 69, and pulse driver 71. With use of such circuitry a constant width pulse stream 70 is applied to the pulse driver 71 to drive the IR LED 74 with a stream of corresponding pulses 72. Preferably, a repetitive substantially linear waveform 67 of fixed repetition rate, i.e., a cyclic waveform having a predetermined total cycle time or period (e.g., a 50 kHz signal having a 20 μ sec duty cycle), is
30 provided to pulse width modulation circuit 66 to be modulated by the audio signal

004040-3024560

63. The pulse width modulation circuit 66 generates a modulated pulse stream 68 wherein the width of the pulses vary according to the amplitude of the audio signal 63. Thereafter, the pulse width modulated pulse stream 68 is applied to an edge detect circuit 69. The edge detect circuit 69 detects the positive and negative transitions of each pulse of the pulse width modulated pulse stream 68 and generates a stream of constant width short pulses 70, i.e., constant duration pulses, in response to the detected edges or transitions of the pulse width modulated pulse stream 68.

Preferably, the constant width pulses of the stream of pulses 70 have a duty cycle that is less than 10 percent of the total cycle time of the carrier frequency or input linear repetitive signal 67. More preferably, the duty cycle of the constant width pulses of the stream of pulses 70 is less than 5 percent of the total cycle of the carrier frequency or input linear repetitive signal 67. In other words, for a 50 kHz signal having a 20 μ sec cycle time, the constant width pulses are preferably less than about 2 μ sec, and more preferably less than about 1 μ sec. The short pulse duration allows the IR LED to be driven by a higher amplitude pulse without exceeding the average power limits of the IR LED. Such an increase in the power used to drive the IR LED results in an increased distance of detection for the transmitted pulses and/or a better quality received signal. For example, a 10 percent duty cycle means that the IR LED can be pulsed 10 times harder than normal without exceeding the average power limit of such devices. As such, the IR LED can be seen a greater distance away because the LED may shine 10 times brighter. Further, to detect such pulses, generally the input stage devices of a receiver apparatus can be operable for shorter periods of time which decreases power usage by the receiver.

For example, the audio signal 63 may be sampled at a constant frequency of about 50 kHz by a sawtooth waveform 67, e.g., the input carrier signal. The duty cycle of the 50 kHz carrier is made to vary in proportion to the amplitude of the audio signal 63 to result in the pulse width modulated stream 68. Every edge or transition of this pulse width modulated 50 kHz carrier signal 68 generates a very

short duration pulse, with each pulse being of a constant width. These pulses are sent to pulse driver 71 to drive the IR LED 74. Since there are two pulses for every cycle of 50 kHz sampling, the total on-time duty cycle will be double that of each pulses on time. Hence, to achieve a 10 percent transmission duty cycle, each pulse
5 will need to have a duty cycle of 5 percent of the total cycle time. Likewise, to achieve a 20 percent transmission duty cycle, each pulse will need to have a duty cycle of 10 percent of the total cycle time.

The demodulation circuitry 81 includes pulse detect circuit 90, pulse width converter circuit 92, and pulse width demodulation circuit 96. With use of such
10 circuitry a stream of electrical signals 89 from an IR photodiode 88 representative of received IR pulses 80 are converted to an audio signal 97 for application to speaker 98. The IR photodiode 88 detects the IR pulses 80 transmitted by IR LED 74 and generates an electrical signal 89 as a function of the detected pulses. The electrical signal 89 is provided to the pulse detect circuit 90 that receives, amplifies
15 and converts the electrical signal from the IR photodiode 88 to a stream of pulses 91 representative of the detected IR pulses 80. This stream of pulses 91 will be similar to the pulse stream 70 generated in the modulation circuitry 61, at least with respect to the time between pulses. The stream of pulses 91 is then applied to the pulse width converter circuit 92 which converts the pulse stream 91 to a pulse width
20 modulated stream of pulses 95. The stream of pulse width modulated pulses 95 include pulses having varied widths, substantially similar to those of pulse stream 68 generated in the modulation circuitry 61. This stream of pulse width modulated pulses 95 is then applied to pulse width demodulation circuit 96 which generates the audio signal 97 therefrom. For example, the demodulation circuit 96 filters the
25 pulse width modulated stream of pulses 95 to obtain the audio signal 97 to be applied to speaker 98.

For example, using the 50 kHz input signal parameters described above, the IR pulses 80 are detected by the IR photodiode 88 and electrical signals
representative thereof are buffered, amplified, and converted to digital pulses by the
30 pulse detect circuit 90. These pulses are used to toggle a pulse width converter 92,

e.g., a flip flop circuit or a divide by two circuit, to convert the edge driven pulses back to the original duty cycle of the pulse width modulated 50 kHz carrier signal 95 which was used to generate them. The pulse width modulated 50 kHz carrier signal 95 is then filtered by pulse width modulation circuit 96 to leave the audio signal 97 to power the speaker 98.

Figure 3 shows a schematic diagram of one illustrative embodiment for implementing the IR transmitter apparatus shown generally in Figure 2. However, it will be recognized that various other alternative implementations may be used that fall within the scope of the present invention. The sound switched transmitter circuit 100 shown in Figure 3 includes a microphone 101, a sawtooth generator circuit 106, a microphone amplifier circuit 104, a sound activated power up circuit 130, a comparator circuit 108, an edge detect or edge to pulse conversion circuit 112, a pulse driver circuit 116, and LEDs 118. The operation of such circuits shall be described with reference to the waveform diagram 202 of Figure 5.

The microphone 101 picks up sound input and applies an audio signal to microphone amplifier circuit 104 including amplifiers 111 and 115. The audio signal as amplified by amplifier 111 is applied to sound activated power up circuit 130 to determine the presence of an audio signal having sufficient amplitude such that other transmitter circuitry should be supplied with power, including amplifier 115. The sound activated power up circuit 130 includes an amplifier/comparator circuit 132, and also power switch circuitry, used to perform peak detection and to compare the peaks detected to a reference signal. Upon receipt of an audio signal having an amplitude above a certain predetermined limit, power is switched on to other portions of the transmitter circuit via ground connections, including power to amplifier 115.

The audio signal amplified by amplifier 111 is provided to amplifier 115 and amplified thereby when power is provided thereto. As such, the audio signal 204 having a desired amplitude, as shown in Figure 5, is applied to the negative input of comparator circuit 108. The sawtooth generator circuit 106 generates a ramped 50 kHz sawtooth waveform 206 as shown in Figure 5. One skilled in the art will

004040-8024560

recognize that other cyclic waveforms may be suitable for use according to the present invention. The comparator 107 is used to reset the sawtooth pulse every 20 μ seconds and the dual transistor package 103 is used to provide the desired ramp for the waveform 206. The sawtooth waveform 206 is applied to the positive input of comparator circuit 108. The comparator circuit 108 compares the audio signal 204 and the sawtooth waveform 206, and generates an output that is a pulse width modulated waveform 208 as shown in Figure 5. In other words, the width of the pulses vary according to the amplitude of the audio signal 204.

The pulse width modulated waveform 208 is applied to edge detect circuit 112. The edge detect circuit 112 includes dual comparators 113 and 114. The leading edge of a pulse of the pulse modulated waveform 208 turns on comparator 113 and generates a constant width pulse therefrom. The trailing edge of a pulse of the pulse modulated waveform 208 turns on comparator 114 and generates a constant width pulse therefrom. The polarity of such stream of constant width pulses 210, as shown in Figure 5, generated based on the leading and trailing edges of the pulse width modulated waveform 208 are not important. The width of the pulses generated is controlled by pulse width limiting circuit 110 of edge detect circuit 112. For example, a reduction in capacitor values in the limit circuit 112 result in a shorter width pulse being generated.

As described previously, preferably, the constant width pulses of the stream of pulses 210 have a duty cycle that is less than 10 percent of the total cycle of the sawtooth waveform 206, more preferably, 5 percent of the total cycle. In other words, for the 50 kHz signal having a 20 μ sec duty cycle, the constant width pulses are preferably less than about 2 μ sec, and more preferably less than about 1 μ sec.

The stream of constant width pulses 210 are applied to pulse driver circuit 116. The IR LEDs 118 are then driven by pulses from the pulse driver circuit 116 such that corresponding pulses of IR light are emitted therefrom.

Figure 4 shows a schematic diagram of one illustrative embodiment for implementing the IR receiver apparatus shown generally in Figure 2. However, it will be recognized that various other alternative implementations may be used that

fall within the scope of the present invention. For example, retriggerable and
resettable one shot circuits along with logic gating may be used to implement
functionality such as that provided by the flip flop. The IR receiver circuit 145
shown in Figure 4 includes an IR sensitive photodiode 140, an amplification circuit
5 146, a comparator circuit 152, a pulse width converter circuit 154, a pulse width
demodulation circuit 160, a volume control circuit 168, missing pulse detection
circuit 167, and a speaker 170. The operation of such circuits shall be described
with reference to the waveform diagram 216 of Figure 6.

IR pulses are detected by IR sensitive photodiode 140 which generates an
10 electrical signal 212 as shown in Figure 6. The electrical output from the
photodiode 140 includes electrical pulses corresponding to the IR pulses detected
thereby. The electrical signal 212 is applied to amplification circuit 146.

Amplification circuit 146 receives and amplifies the signal for application to
comparator circuit 152. The amplification circuit 146 includes three gain stages
15 147-149 and a buffer stage 150. Symmetrically opposed pulses are provided to
comparator circuit 152 from the buffer stage 150. In other words, the stages 147-
150 provide positive and negative amplified pulses 214, i.e., symmetrically opposite
polarity pulses, as shown in Figure 5 to the comparator circuit 152. As such,
generally, at least in one embodiment, upon application of a detected pulse, the
20 positive input of the comparator circuit 152 is taken higher and the negative input
thereof is taken lower to provide a pulse output from the comparator circuit 152.
The gain of the stages may be fixed as desired. Further, the gain of one or more
stages may be adjusted on an ongoing basis to provide additional gain when
distances increase between the transmitter and receiver. One will recognize that
25 other amplification and comparison circuits may be used for detection purposes,
e.g., comparison of the amplitude of a single pulse to a reference.

As such, the comparator circuit 152 determines if IR pulses have been
received and generates a stream of pulses 216 as shown in Figure 6 representative of
the detected IR pulses. This stream of pulses 216 is then applied to the pulse width
30 converter circuit 154 which basically divides the pulses by two. In other words, the

000000-8024560

flip flop 156 is toggled by the received pulses to convert the pulse stream 216 to a pulse width modulated stream of pulses 218 as shown in Figure 6. This stream of pulse width modulated pulses 218 is then applied to pulse width demodulation circuit 160 which generates the audio signal 222 therefrom. For example, the demodulation circuit 160 includes amplifier/filter circuit 164 to filter the received pulse width modulated stream of pulses 218 to obtain the audio signal 222. The filtering is performed by filter components 165. The filtered audio signal is then provided to amplifier 162 for amplification, and thereafter, application to speaker 170 for sound production.

The volume of the speaker 170 is controlled by volume control circuit 168. The volume control circuit 168 includes a variable resistor that can be controlled by a user in any known manner, e.g., turning of a wheel, activating a push button, or any other method of user interface with a variable resistor.

The missing pulse detection circuit 167 of the receiver circuitry 145 detects when comparator 152 does not receive a pulse. The circuit 167 provides a chip disable signal to amplifier 162 when a pulse is not detected. This keeps the power amplifier 162 from being turned on and any sound from the speaker is muted when a missing pulse is detected. The output from the comparator circuit 152, i.e., pulses being detected, causes transistor 161 to remain turned off. Absence of pulses allow the switch to turn on activating the mute function. In other words, the output from the comparator circuit, i.e., when pulses are detected, is rectified and filter by circuit 163 to provide a voltage to cause the transistor 161, i.e., mute switch, to remain off. Absence of pulses allow the voltage (i.e., which is holding the switch 161 off) to drop causing the switch 161 to turn on. This pulls the chip disable of the amplifier 162 high, which turns off power to the speaker 170.

Figure 7A shows a block diagram of another illustrative embodiment of transmitter circuitry 250 of a portable communication system 10 like that described generally with reference to Figure 1. The operation of the transmitter circuitry 250 shall be described with reference to the waveform diagram 330 of Figure 8. Figure 7B shows a block diagram of another illustrative embodiment of receiver circuitry

300 of a portable communication system 10 like that describes generally with reference to Figure 1 and operable with the transmitter circuitry 250 of Figure 7A.

The transmitter circuitry 250 shown in Figure 7A includes a microphone 252, a pulse width modulation circuit 254, a sawtooth generator circuit 258, a reference pulse generator circuit 251, an edge detect or edge to pulse conversion circuit 256, a pulse driver circuit 260, and a IR LED 270. The microphone 252 picks up sound input and applies an audio signal 338 as shown in Figure 8, preferably amplified, to the pulse width modulation circuit 254, e.g., a comparator circuit. The sawtooth generator circuit 258 generates a sampling ramp signal 336 every cycle 333 as shown in Figure 8, e.g., every 25 μ seconds, based on a reference pulse signal 332 provided by pulse generator 251 at the start of every cycle. For example, the reference pulse may be a 1 μ second constant width pulse provided every 25 μ seconds.

The sampling ramp signal 336 is a sawtooth waveform much like the 50 kHz waveform described with reference to Figure 3. However, the ramp time 335 as shown in Figure 9 of the sampling ramp signal 336 is of shorter duration than the ramp of the previous waveform which extended during the entire cycle.

The sampling ramp waveform 336 is applied to the pulse width modulation circuit 254, e.g., a comparator circuit, along with the audio signal 338. The comparator circuit compares the audio signal 338 and the sampling ramp waveform 336, and generates an output that is a pulse width modulated waveform 340 as shown in Figure 9. In other words, the width of the pulses vary according to the amplitude of the audio signal 338. However, the reason for using a shorter ramp duration is to make the pulse width of the pulses of pulse width modulated waveform 340 vary within a shorter time frame within the cycle time 333. For example, with a ramp duration of 10 μ seconds and a 25 μ seconds cycle time, the pulse width will vary between 2 μ seconds and 10 μ seconds. In other words, the 25 μ seconds sample period has been compressed into a maximum of 10 μ seconds (e.g., less than 50 percent duty cycle).

004040-3064560

5 The pulse width modulated waveform 340 is applied to edge detect circuit 256 which detects the falling edge of the pulses of the pulse width modulated waveform 340 or, alternatively, both the rising and falling edges of the pulses of the pulse width modulated waveform 340. If only the falling edge is detected, the edge detect circuit 256 generates a constant width pulse stream representative of the falling edges 342 to be provided to the pulse driver 260 with the rising edge of the pulses being indicated by the stream of reference pulses 332 from reference pulse generator 251. However, preferably, both the rising and trailing edges are detected providing a stream of pulses representative thereof as shown by waveform 344 of Figure 8. The width of the pulses generated is controlled as previously described herein. The stream of constant width pulses 344 is applied to pulse driver circuit 260. The IR LED 270 is then driven by pulses 269 from the pulse driver circuit 260 such that pulses of IR light are emitted therefrom.

15 The IR receiver circuit 300 shown in Figure 7B includes an IR sensitive photodiode 302, a pulse detect circuit 303 including an amplification circuit 304 and digitization circuit 306, a pulse width converter circuit 309 including a flip flop 310, a one-shot circuit 308, a pulse width demodulation circuit 311, a duty cycle detection and polarity correction circuit 317, a filter/amplifier circuit 318, and speaker 320. IR pulses are detected by IR sensitive photodiode 302 which generates an electrical signal 352 including output pulses as shown in Figure 9. The electrical output pulses from the photodiode 302 correspond to the IR pulses detected thereby. The electrical signal 352 is applied to amplification circuit 304 for amplification and provision to digitization circuit 306, e.g., a comparator circuit. The amplified pulses may be compared to a predetermined reference by the comparator circuit to determine if an IR pulse has been received. The comparator generates a stream of pulses 354, e.g., logic level pulses, representative of the detected IR pulses to be used in clocking the flip flop 310 of the pulse width converter circuit 309 which basically divides the pulses by two. In other words, the flip flop 310 is toggled by the received logic level pulses 354, e.g., rising edge pulses and falling edge pulses, to convert the pulse stream 354 to a pulse width modulated stream of pulses 356 as

shown in Figure 9. Also, the stream of pulses 354 are applied to the one shot circuit 308 for duty cycle detection and polarity correction purposes as described further below. The output of the flip flop 310 is rising edge detected and used to generate a reset pulse that marks the beginning of a linear ramp signal 368, as shown in

5 Figure 9, generated by ramp generator circuit 312 of pulse demodulation circuit 311. The output of the flip flop 310 is falling edge detected by falling edge detector 314 to generate a stream of sampling pulses 359. The rising edge pulse that causes the flip flop to change state at the rising edge of the pulse width modulated stream of pulses 356, also causes the one shot circuit 308 to start a time out period 351

10 running in which the trailing edge pulse that causes the state of the flip flop to change must be received before the one shot circuit 308 triggers a falling edge detector 373 to send a reset pulse to the flip flop 309, e.g., 12 μ second when the ramp time is 10 μ seconds. During the time out period 351, a high logic state is provided to the AND gate 361 by the one shot circuit 308 as shown by waveform 358 in Figure 9. Upon occurrence of a falling edge pulse and detection of the

15 falling edge of a pulse width modulated pulse of the stream of pulses 356 during the time out period 351, a short duration high sampling pulse 359 is provided by the falling edge detection circuit 314 of the duty cycle detection and polarity correction circuit 317 to the AND gate 361.

20 As high logic states are provided to the AND gate 361 from both the edge detection circuit 314 and the one shot circuit 308 when a falling edge is detected within time period 351, a gated sample pulse 362 is provided by the AND gate 361 to open a gate on a sample/hold circuit 316 that is sampling the linear ramp 368 generated by the ramp generator circuit 312. The gate closes and the ramp voltage

25 last sampled is held until the next sample is taken. As such, the stepped waveform 366 as shown in Figure 9 is provided from the sample/hold circuit 316. This stepped waveform 366 is then applied to the filter/amplifier circuit 318 to filter the received stepped voltage waveform 366 to obtain the audio signal 370 as shown in Figure 9. The filtered audio signal 370 is then amplified and applied to speaker 320

30 for sound production.

The duty cycle detection and polarity correction circuit 317 is used to maintain polarity of the pulse width modulated stream of pulses 356. The falling edge pulse that is used to change the state of the flip flop 310 from the state caused by leading edge pulse is expected to arrive at the flip flop 310 within the time period allowed for the modulated pulse, e.g., within 12 μ seconds of the leading edge pulse that changes the state of the flip flop 310. The reset time-out period 351 as shown in Figure 9 is set in which to detect the trailing edge pulse used to change the state of the flip flop 310. However, if the falling edge pulse is not detected, then the one-shot circuit 308 times out and triggers falling edge detector 371 to provide a reset pulse 373 as shown in Figure 9 to the flip flop 310 to make the state of the flip flop 310 correct for the next received leading edge pulse. In other words, the one shot circuit 308 changes the logic state provided to the AND gate 361, e.g, it goes low, as shown in waveform 358 of Figure 9, which triggers the falling edge detector 371. Although the falling edge due to the reset pulse is detected by the falling edge detection circuit 314 and a short high pulse is provided to the AND gate 361, with the one shot circuit input to the AND gate 361 being low, a gated sample pulse 362 is not provided to the sample and hold circuit 316. As such, the previously sampled state is maintained. In such a manner, the polarity of the pulse width modulated pulse stream 356 can be maintained. Being able to retain polarity is important because it reduces the noise caused by frequent polarity reversals due to marginal reception conditions.

This alternate embodiment described with reference to Figures 7-9, can be described in other general terms. For example, the transmitter is a fixed frequency (e.g., period of 25 μ seconds) voltage to pulse width convertor with a less than 50% duty cycle. The receiver is a pulse width to voltage convertor that takes advantage of the maximum pulse width, e.g., 10 μ seconds, for the modulated pulse together with fixed frequency to allow polarity determination. In other words, the operation can be referred to as mixed mode encoding. Analog information is provided by the pulse width modulated pulse stream, with each pulse occurring in less than half (e.g., 12 μ seconds) of the cycle time (e.g., 25 μ seconds). Further, one bit of digital

polarity is encoded in the duty cycle (e.g., less than 50% or more than 50%) that is transmitted using the constant width pulse technique in which pulses representative of the rising and falling edges of a pulse width modulated stream of pulses are generated. The receiver detects the duty cycle and corrects the polarity of the received pulses.

Figure 10 is a perspective view of an IR transmitter apparatus 404 and an IR receiver apparatus 430 of a portable IR communication system 400 which may implement one or more of the concepts described herein, e.g., modulation and demodulation circuitry. The IR transmitter apparatus 404 includes at least one infrared light emitting device 408 mounted on a transmitter housing 410 for transmission of IR signals 409 to IR receiver apparatus 430. The transmitter housing is configured to be removably coupled to the phone apparatus 402, e.g., a cellular phone, such that a microphone 407 (shown in Figure 11) is positioned adjacent the sound output device 420 (also shown in Figure 11) of the phone apparatus 402.

Figure 11 is a more detailed perspective view of the IR transmitter apparatus 404 of Figure 10 and the phone apparatus 402 to which it may be coupled. The transmitter housing 410 encloses a microphone 407 and any transmitter circuitry necessary to drive the IR light emitting devices 408, e.g., IR LEDs. Two infrared light emitting devices 408 are mounted on the transmitter housing 410, however any suitable number of LEDs may be used. The transmitter housing 410 is configured with an opening 417 sized to fit over an end 422 of phone apparatus 402. The transmitter housing 404 functions like a cap mounted, e.g., snap fitted, on the end 422 and provides microphone 407 adjacent sound output 420. The transmitter housing 410 includes cap portion 421 having opening 417 defined therein for fitting over the end of multiple types of phones. As such, the transmitter apparatus 404 is a universal apparatus that can be switched from one phone to another. The cap portion 421 also includes a battery pod or compartment 416 defined therein to hold a power source. Extending from the preferably rectangular cap portion 421 is a microphone housing portion 423 that houses the microphone 407. The microphone

housing portion 423 is preferably orthogonal to the cap portion 421. Preferably, the transmitter housing 410 holds the microphone 407 adjacent the sound output 420 in a stable position, e.g., without significant movement being allowed that may cause quality problems. Some movement may be tolerated.

5 Various dampening structures 412, e.g., pads, are provided for housing isolation between the phone apparatus 402 and transmitter housing 410. Further, acoustic dampening material 414 is provided relative to the microphone 407 to provide housing isolation and prevent external noise from reaching the microphone 407. For example, in Figure 11, a ring of acoustic dampening material 414 is
10 provided about the microphone 407.

 Another illustrative embodiment of a transmitter housing 472 of a transmitter apparatus 470 is shown in Figure 13. The transmitter housing 472 has IR LEDs 474 mounted thereon. In this embodiment, the transmitter housing 472 includes a band element 476, e.g. two portions that fasten together, that can wrap
15 around a perimeter of a phone apparatus such that microphone 477 of the transmitter apparatus 470 is adjacent a sound output (not shown) of a phone apparatus. The microphone 477 is surrounded by acoustic dampening material 479 in much the same manner as described with reference to Figure 11. The band element 476 has associated therewith fastening elements 478 on one or both of the
20 portions of band element 476. For example, the fastening elements 478 may include hook and loop fasteners, releasable adhesives, etc. Further, the band element 476 may be formed of a single elastic material to hold the transmitter apparatus 470 about the phone apparatus.

 Several illustrative diagrams of receiver apparatus usable in accordance with
25 the present invention will be described with reference to Figures 12A-12C and Figure 14. Although such receiver apparatus can be used in conjunction with the transmitter apparatus described herein, various other types of IR receivers may be used with such transmitter apparatus, including IR headsets as opposed to ear supported devices.

Figure 12A is a side view of the IR receiver apparatus 430 shown in Figure 10. Figure 12B is an exploded end view of the IR receiver apparatus 430 of Figure 10 and Figure 12C is a perspective rear view of a speaker portion of the IR receiver apparatus 430 of Figure 12B. The IR receiver apparatus 430 includes a receiver housing 431 that is configured as a behind the ear receiver securable by the pinna of the ear. The receiver housing 431 includes a first body portion 432 that includes a behind the ear element 434 to secure the receiver housing 431 by the pinna of the ear and a speaker holding element 440 extending from the behind the ear element 434. Preferably, the behind the ear element 434 is of a curved nature to comfortably wrap around the pinna of the ear with at least one IR sensitive photodiode 436 positioned at a surface of the behind the ear element 434. Preferably, the IR sensitive photodiode 436 is located such that it is facing the same direction as the user's face when receiver apparatus 430 is secured by the pinna of the ear.

The speaker holding element 440 has an opening 456 defined therethrough along axis 458. Preferably, the opening 456 is of an oblong or circular shape cross sectional shape, but any shape or size may be used. The opening 456 has an inner surface 457 that includes speaker contacts 452 mounted therein.

The receiver housing 431 further includes a second body portion 438 encompassing at least the speaker of the receiver apparatus 430. The second body portion 438 is sized to be retained within the opening 456. Further, the second body portion 438 includes speaker contacts 454 for mating with the speaker contacts 452 mounted in the opening 456 of the speaker holding element 440 of the first body portion 432.

The second body portion 438 preferably includes a speaker element portion 460 and a connection portion 465. Further, preferably, the speaker portion 460 that lies outside of the opening 456 when the second portion 438 is assembled with the first portion 431 has a compressible material cover 462, e.g., foam, to provide comfort to the user and adequate coupling of sound to the ear. The connection portion 465 is sized to fit in the opening 456 such that the contacts 454 at a surface of the connection portion 465 mate with the contacts 452 in the contact region 450

of the receiver housing 431. Preferably, the transmitter components other than the speaker are mounted in the first body portion 432 of the receiver housing 431.

However, depending on the size of such components they could be mounted in either or both such body portions.

5 With the IR receiver housing 431 having a separate second body portion 438 that is removable from the opening 456, the second body portion 438 can be inserted in the opening 456 from either direction along axis 458 with mating of the contacts 454 and 452 occurring independent of the direction of insertion. As such, the receiver housing 431 can be secured to either ear of the user with the speaker
10 element portion 460 of the second body portion 438 being next to the user's ear and the IR LED facing forward.

Figure 14 is a side view of an alternate embodiment of an IR receiver apparatus 470, e.g., earbud receiver. The receiver apparatus 470 includes a receiver housing 471 that is securable within the concha of the ear. The receiver housing
15 471 includes a speaker portion 472 that encloses at least the speaker and preferably, also a power source of the receiver (e.g., battery, not shown). The speaker portion 472 has a compactable/expandable material 474 (e.g., foam, sponge, etc.) about at least a portion thereof to support the receiver housing 471 in the concha of the ear. The material 474 is placed in a compacted state upon insertion in the concha of the
20 ear. Thereafter, when released from the compacted state, the material expands to an expanded state to hold the receiver housing 471 in the concha of the ear.

The receiver housing 471 further includes an elongated portion 476 that extends from the speaker portion 472. Preferably, the elongated portion 476 generally extends in a direction orthogonal from the speaker portion 472, or at least
25 in a non-aligned direction. The weight of the apparatus 470 is concentrated in the speaker portion 472 for stability within the concha of the ear. Further, at least a portion of the transmitter components are enclosed by the elongated portion 476 with at least one IR sensitive device 478, e.g. IR photodiode, mounted thereon. Preferably, an IR photodiode 478 is mounted towards the distal end 477 of the
30 elongated portion 476. In such a position, the elongated portion 476 can be adjusted

to "point" the photodiode in a particular direction that may assist in reception of IR signals. Further, the elongated portion 476 may be formed as a flexible portion to allow for positioning of the photodiode for reception and also for stability positioning of the apparatus in the ear.

5 Figure 15 is a perspective view of a lapel IR transmitter apparatus 482 useable with the communication system of Figure 1 and Figures 16A-16B are illustrations of corded IR transmitters 520 and receivers 510 usable with the communication system of Figure 1. Such embodiments are provided to show the additional components that may be used in a portable system as described with
10 reference to Figure 1.

 For example, a user 480 may wear the lapel transmitter 482 that includes a microphone 484 for picking up sound input. The transmitter apparatus 482 may transmit using the IR light emitting device 486 driven by circuitry within housing 485. Such IR signals may be received by an IR wireless receiver apparatus such as
15 described herein. Further, the modulation/demodulation techniques described herein may be used for communication using the lapel transmitter 482 or any other transmitter apparatus.

 Further, as shown in Figure 16A, a corded IR receiver 510 having a corded connection element 516, e.g., a jack, may be used for receiving IR signals generated
20 according to the present invention. For example, the receiver may be connected to a computer 500 having a sound card for output of sound based on the received IR signals detected by IR sensitive diode 512 and demodulated by circuitry within housing 514.

 Yet further, as shown in Figure 16B, a corded IR transmitter 520 having a
25 corded connection element 518, e.g., a jack, may be used for transmitting IR signals generated according to the present invention. For example, the transmitter apparatus 520 may be connected to a computer 500 having a sound output jack for providing audio signal to IR transmitter 520 for modulation by circuitry within housing 526 for transmission by IR LED 524.

004040-3044560

5 One skilled in the art will recognize that various accessories items may be provided in conjunction with the present invention to provide suitable communication between the transmitter apparatus and receiver apparatus. For example, a dashboard cradle or holder may be used to place the phone apparatus having the transmitter coupled thereto in a position suitable for IR communication to be accomplished. Further phone positioning devices may include a visor clip, a window slit cradle similar to a cup holder, etc.

10 Preferably, according to the present invention, the ear secured housing only includes a receiver and does not include any transmitter components. With respect to use of the present invention with a phone apparatus, the microphone of the phone apparatus is believed to be able to pick up voice from a user when the phone apparatus is within a certain distance from the user. Thus, the need for additional components to relay voice to the microphone of the phone apparatus are unnecessary. However, the present invention contemplates the use of the system and methods described herein with other voice reception equipment.

15 A method of using a portable communication system 10 described with reference to Figure 1 with a phone apparatus (such as shown in Figure 11) having a sound output device is one significant application of the system of the present invention. The method includes providing the removable transmitter apparatus 12 that includes the transmitter housing 28 enclosing at least the microphone and modulation circuitry. The removable transmitter apparatus 12 is secured to the phone apparatus such that the microphone is positioned adjacent the sound output device of the phone apparatus as previously described herein or in any other manner, e.g., cap mounting or with use of a wrap around band. Being removable, the transmitter apparatus may be detached from the phone apparatus and secured to a different phone apparatus. In such a method, the transmission technique need not be IR, but could be RF or any other suitable wireless transmission techniques.

25 All patents and references cited herein are incorporated in their entirety as if each were incorporated separately. It is to be understood that the above description is intended to be illustrative, and not restrictive to the present invention. Many

other embodiments will be apparent to those skilled in the art upon reviewing the above description. The scope of the invention should, therefore, be determined with reference to the appended claims along with the full scope of equivalents to which such claims are entitled.

004040-80/24560

What is claimed is:

1. A portable communication system for use with a communication apparatus having a sound output device, the system comprising:

5 an infrared transmitter apparatus, wherein the infrared transmitter apparatus comprises:

a microphone to generate an audio signal from received sound input,
at least one infrared light emitting device,

10 modulation circuitry operable to convert the audio signal to one or more constant width electrical pulses to drive the infrared light emitting diode to transmit one or more corresponding constant width infrared pulses,
and

15 a transmitter housing enclosing the microphone and modulation circuitry and upon which the at least one infrared light emitting device is mounted, wherein the transmitter housing is configured to be removably coupled to the communication apparatus such that the microphone is positioned adjacent the sound output device of the communication apparatus; and

20 an infrared receiver apparatus, wherein the infrared receiver apparatus comprises:

an infrared light detection device to detect the one or more
corresponding infrared pulses and generate one or more electric signals
representative of the detected infrared pulses,

a speaker,

25 demodulation circuitry operable to convert the one or more electric signals representative of the detected infrared pulses to an audio signal to power the speaker to produce a sound output, and

a receiver housing enclosing the speaker and the demodulation circuitry and upon which the infrared light detection device is mounted,

00000-802450

wherein the receiver housing is formed to be self-supported entirely by the ear of a user.

2. The system of claim 1, wherein the transmitter housing is sized for positioning of the microphone adjacent a speaker of a phone apparatus.

3. The system of claim 2, wherein the transmitter housing includes means for removably attaching the housing to the phone apparatus.

4. The system of claim 3, wherein the attachment means includes an opening sized to fit over an end of a phone apparatus.

5. The system of claim 3, wherein the attachment means includes an adjustable band element to attach the housing to a phone apparatus.

6. The system of claim 1, wherein the receiver housing comprises an in the ear receiver housing securable within the concha of the ear.

7. The system of claim 1, wherein the receiver housing comprises a behind the ear receiver housing securable by the pinna of the ear.

8. The system of claim 1, wherein the receiver housing comprises:
a first portion including a behind the ear element and a speaker holding element having an opening defined therethrough, wherein the speaker holding element includes speaker contacts; and

a second portion encompassing the speaker, wherein second portion is sized to be retained within the opening and includes speaker contacts for mating with the speaker contacts of the speaker holding element.

9. The system of claim 1, wherein modulation circuitry comprises:

pulse width modulation circuitry to convert the audio signal using a carrier signal to one or more width modulated pulses, wherein the width of the one or more pulses is varied as a function of the audio signal;

an edge detect circuit to detect the edges of the one or more width modulated pulses and generating constant width pulses based on the detected edges; and

a pulse driver circuit to drive the infrared light emitting device.

10. The system of claim 1, wherein demodulation circuitry comprises:

pulse detection circuitry to convert the one or more electrical signals representative of the detected infrared pulses to one or more constant width pulses based thereon;

pulse width convertor circuitry to convert the one or more constant width pulses to one or more width modulated pulses; and

pulse width modulation circuitry to convert the one or more width modulated pulses to an audio signal for application to the speaker.

11. The system of claim 10, wherein the pulse detection circuitry comprises:

an amplifier configuration to provide symmetrically opposed polarity electrical pulses corresponding to each of the one or more electrical signals representative of the detected infrared pulses; and

a comparator to generate a constant width pulse each time symmetrically opposed polarity electrical pulses are applied thereto.

12. The system of claim 10, wherein the pulse width convertor circuitry comprises a divide by two circuit.

13. The system of claim 10, wherein the receiver further comprises missing pulse detection circuitry comprising:

detection circuitry to detect the absence of constant width pulses; and

disable circuitry to disable one or more components of the receiver upon detection of such absence of constant width pulses.

5 14. The system of claim 1, wherein the transmitter apparatus further comprises a sound activated power circuit to power one or more components of the transmitter upon detection of sound input.

10 15. The system of claim 1, wherein the one or more constant width electrical pulses to drive the infrared light emitting device are less than about 2 microsecond in duration.

15 16. The system of claim 15, wherein the one or more constant width electrical pulses to drive the infrared light emitting device are less than about 1 microsecond in duration.

17. A portable infrared transmitter apparatus for use with a communication apparatus having a sound output device, the apparatus comprising:

a microphone to generate an audio signal from received sound input;

at least one infrared light emitting device;

20 modulation circuitry operable to convert the audio signal to one or more constant width electrical pulses to drive the infrared light emitting diode to transmit one or more corresponding constant width infrared pulses; and

25 a transmitter housing enclosing the microphone and modulation circuitry and upon which the at least one infrared light emitting device is mounted, wherein the transmitter housing is configured to be removably coupled to the communication apparatus such that the microphone is positioned adjacent the sound output device of the communication apparatus.

30 18. The apparatus of claim 17, wherein the transmitter housing is sized for positioning of the microphone adjacent a speaker of a phone apparatus.

19. The apparatus of claim 18, wherein the transmitter housing includes means for removably attaching the housing to the phone apparatus.

5 20. The apparatus of claim 19, wherein the attachment means includes an opening sized to fit over an end of a phone apparatus.

21. The apparatus of claim 19, wherein the attachment means includes an adjustable band element to attach the housing to a phone apparatus.

10 22. The apparatus of claim 17, wherein demodulation circuitry comprises:
pulse detection circuitry to convert the one or more electrical signals representative of the detected infrared pulses to one or more constant width pulses based thereon;

15 pulse width convertor circuitry to convert the one or more constant width pulses to one or more width modulated pulses; and

pulse width modulation circuitry to convert the one or more width modulated pulses to an audio signal for application to the speaker.

20 23. The apparatus of claim 22, wherein the pulse detection circuitry comprises:
a amplifier configuration to provide symmetrically opposed polarity electrical pulses corresponding to each of the one or more electrical signals representative of the detected infrared pulses; and

a comparator to generate a constant width pulse each time the symmetrically opposed polarity electrical pulses are applied thereto.

25 24. The apparatus of claim 22, wherein the pulse width convertor circuitry comprises a divide by two circuit.

25. The apparatus of claim 17, wherein the transmitter apparatus further comprises a sound activated power circuit to power one or more components of the transmitter upon detection of sound input.

5 26. The apparatus of claim 17, wherein the one or more constant width electrical pulses to drive the infrared light emitting device are less than about 2 microsecond in duration.

10 27. The apparatus of claim 26, wherein the one or more constant width electrical pulses to drive the infrared light emitting device are less than about 1 microsecond in duration.

15 28. A portable infrared receiver apparatus comprising:
an infrared light detection device to detect one or more infrared pulses and generate one or more electric signals representative of the detected infrared pulses;
a speaker;
demodulation circuitry operable to convert the one or more electric signals representative of the detected infrared pulses to an audio signal to power the speaker to produce a sound output, wherein the demodulation circuitry comprises:

20 pulse detection circuitry to convert the one or more electrical signals representative of the detected infrared pulses to one or more constant width pulses based thereon,

pulse width convertor circuitry to convert the one or more constant width pulses to one or more width modulated pulses, and

25 pulse width modulation circuitry to convert the one or more width modulated pulses to an audio signal for application to the speaker, and

a receiver housing enclosing the speaker and the demodulation circuitry and upon which the infrared light detection device is mounted, wherein the receiver housing is formed to be self-supported entirely by the ear of a user.

5 29. The apparatus of claim 28, wherein the receiver housing comprises an in the ear receiver housing securable within the concha of the ear, and further wherein the receiver housing includes:

10 a speaker portion enclosing the speaker and a power source, the speaker portion having a compactable/expandable material about at least a portion thereof to support the receiver housing in the concha of the ear, wherein the material is placed in a compacted state upon insertion in the concha of the ear and further wherein the material expands to an expanded state to hold the receiver housing in the concha of the ear upon release from the compacted state, and

15 an elongated portion extending from the speaker portion enclosing at least a portion of the demodulation circuitry, wherein the infrared light detection device is positioned on the elongated portion.

20 30. The apparatus of claim 28, wherein the receiver housing comprises a behind the ear receiver housing securable by the pinna of the ear, and further wherein the receiver housing includes:

a first portion comprising:

a behind the ear element to secure the receiver housing by the pinna of the ear, and

25 a speaker holding element extending from the behind the ear element, wherein the speaker holding element has an opening defined therethrough, and further wherein the speaker holding element includes speaker contacts; and

30 a second portion encompassing the speaker, wherein second portion is sized to be retained within the opening and includes speaker contacts for mating with the speaker contacts of the speaker holding element.

004040-8024560

31. The apparatus of claim 30, wherein the speaker contacts of the speaker holding element are positioned on a surface defining the opening.

5 32. The apparatus of claim 28, wherein the demodulation circuitry comprises:
pulse detection circuitry to convert the one or more electrical signals representative of the detected infrared pulses to one or more constant width pulses based thereon;

pulse width convertor circuitry to convert the one or more constant width pulses to one or more width modulated pulses; and

10 pulse width modulation circuitry to convert the one or more width modulated pulses to an audio signal for application to the speaker.

15 33. The apparatus of claim 32, wherein the pulse detection circuitry comprises:
a amplifier configuration to provide symmetrically opposed polarity electrical pulses corresponding to each of the one or more electrical signals representative of the detected infrared pulses; and

a comparator to generate a constant width pulse each time the symmetrically opposed polarity electrical pulses are applied thereto.

20 34. The apparatus of claim 32, wherein the pulse width convertor circuitry comprises a divide by two circuit.

35. The apparatus of claim 32, wherein the receiver further comprises missing pulse detection circuitry comprising:

25 detection circuitry to detect the absence of constant width pulses; and
disable circuitry to disable one or more components of the receiver upon detection of such absence of constant width pulses.

30 36. A method of using a portable communication system with a phone apparatus having a sound output device, the method comprising:

providing a removable transmitter, wherein the removable transmitter
comprises:

a microphone to generate an audio signal from received sound input,
a transmitter device,

5 modulation circuitry operable to convert the audio signal to an
electrical signal to drive the transmitter device to transmit signals
representative of the audio signal, and

a transmitter housing enclosing at least the microphone and
modulation circuitry, and

10 securing the removable transmitter to the phone apparatus, wherein securing
the removable transmitter to the phone apparatus includes coupling the transmitter
housing to the phone communication apparatus such that the microphone is
positioned adjacent the sound output device of the communication apparatus.

15 37. The method of claim 36, wherein providing the removable transmitter
comprises:

providing a removable infrared transmitter, wherein the removable infrared
transmitter comprises:

a microphone to generate an audio signal from received sound input,
20 at least one infrared light emitting device,

modulation circuitry operable to convert the audio signal to one or
more electrical pulses to drive the infrared light emitting diode to transmit
one or more corresponding infrared pulses, and

25 a transmitter housing enclosing the microphone and modulation
circuitry and upon which the at least one infrared light emitting device is
mounted.

37. The method of claim 35, wherein the removable transmitter comprises an
opening sized to fit over a portion of a phone apparatus, wherein securing the

removable transmitter to the phone apparatus comprises positioning the opening over the portion.

5 38. The method of claim 37, wherein the portion of the phone apparatus is an end portion of a phone where a sound output device is located, and further wherein securing the removable transmitter to the phone apparatus comprises positioning the opening over the end of the phone.

10 39. The method of claim 35, wherein securing the removable transmitter to the phone apparatus comprises positioning a band of the removable transmitter about a perimeter of the phone apparatus.

15 40. The method of claim 35, wherein securing the removable transmitter to the phone apparatus comprises using a two faced adhering system to attach the removable transmitter to the phone apparatus.

20 41. The method of claim 35, further comprising:
detaching the removable transmitter from the phone apparatus; and
securing the removable transmitter to a different phone apparatus.

**LOW POWER INFRARED PORTABLE COMMUNICATION SYSTEM
WITH WIRELESS RECEIVER AND METHODS REGARDING SAME**

5

Abstract of the Invention

A portable communication system provides a universal transmitter that mechanically couples to a communication device having a sound output, e.g., a cellular phone handset, and which transforms the sound output into infrared signals, e.g., pulses, for transmission to a wireless receiver, e.g., a behind the ear or in the ear receiver.

10

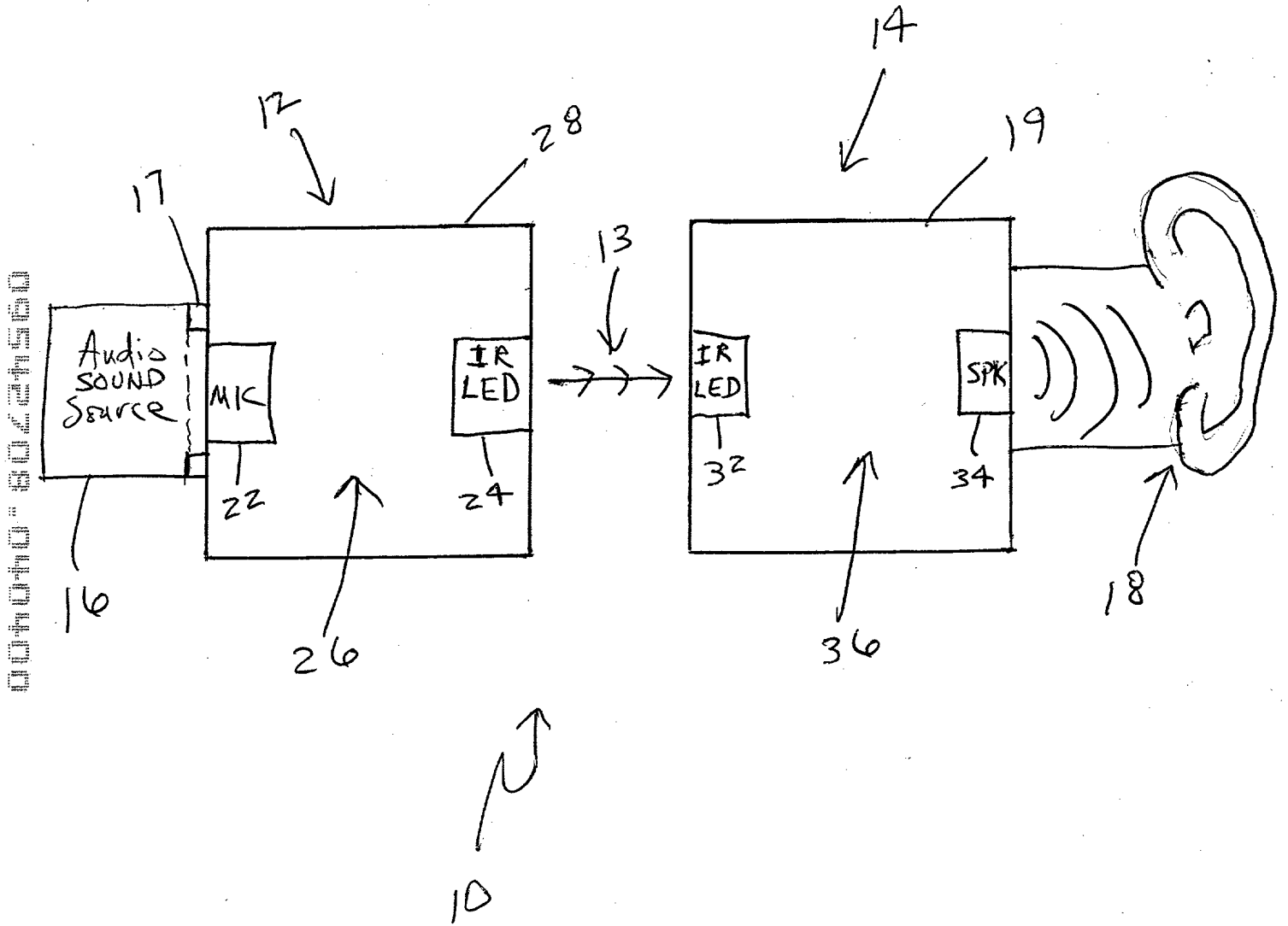
000000 80224560

"EXPRESS MAIL" MAILING LABEL NUMBER: EL51833659545

DATE OF DEPOSIT:
I HEREBY CERTIFY THAT THIS PAPER OR FEE IS BEING DEPOSITED WITH THE
UNITED STATES POSTAL SERVICE "EXPRESS MAIL POST OFFICE TO ADDRESSEE"
SERVICE UNDER 37 CFR 1.10 ON THE DATE INDICATED ABOVE AND IS ADDRESSED TO
THE ASSISTANT COMMISSIONER FOR PATENTS,
WASHINGTON, D.C. 20231

PRINTED NAME Anne M. Richards
SIGNATURE Anne Richards

FIGURE 1



004040-8024560

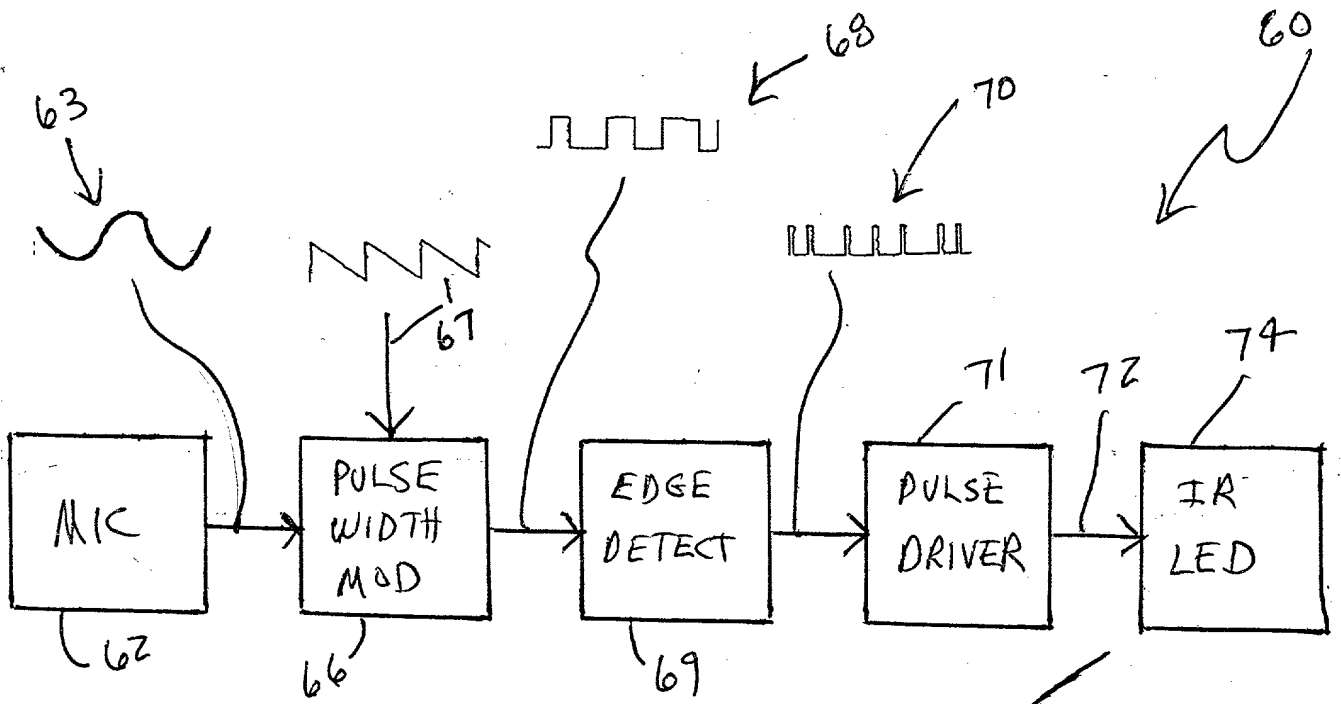
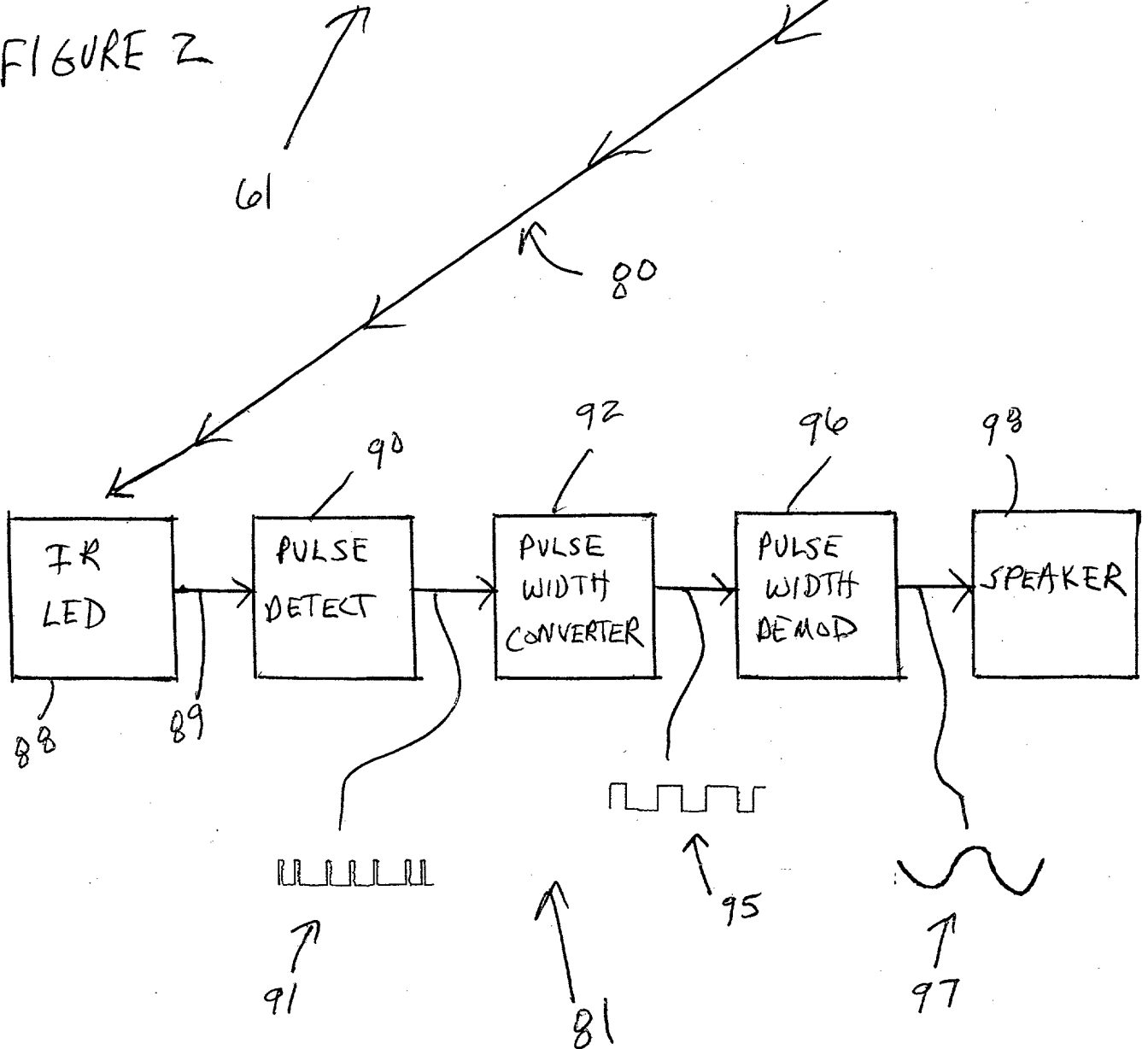


FIGURE 2



004040-3042450 FIGURE 3

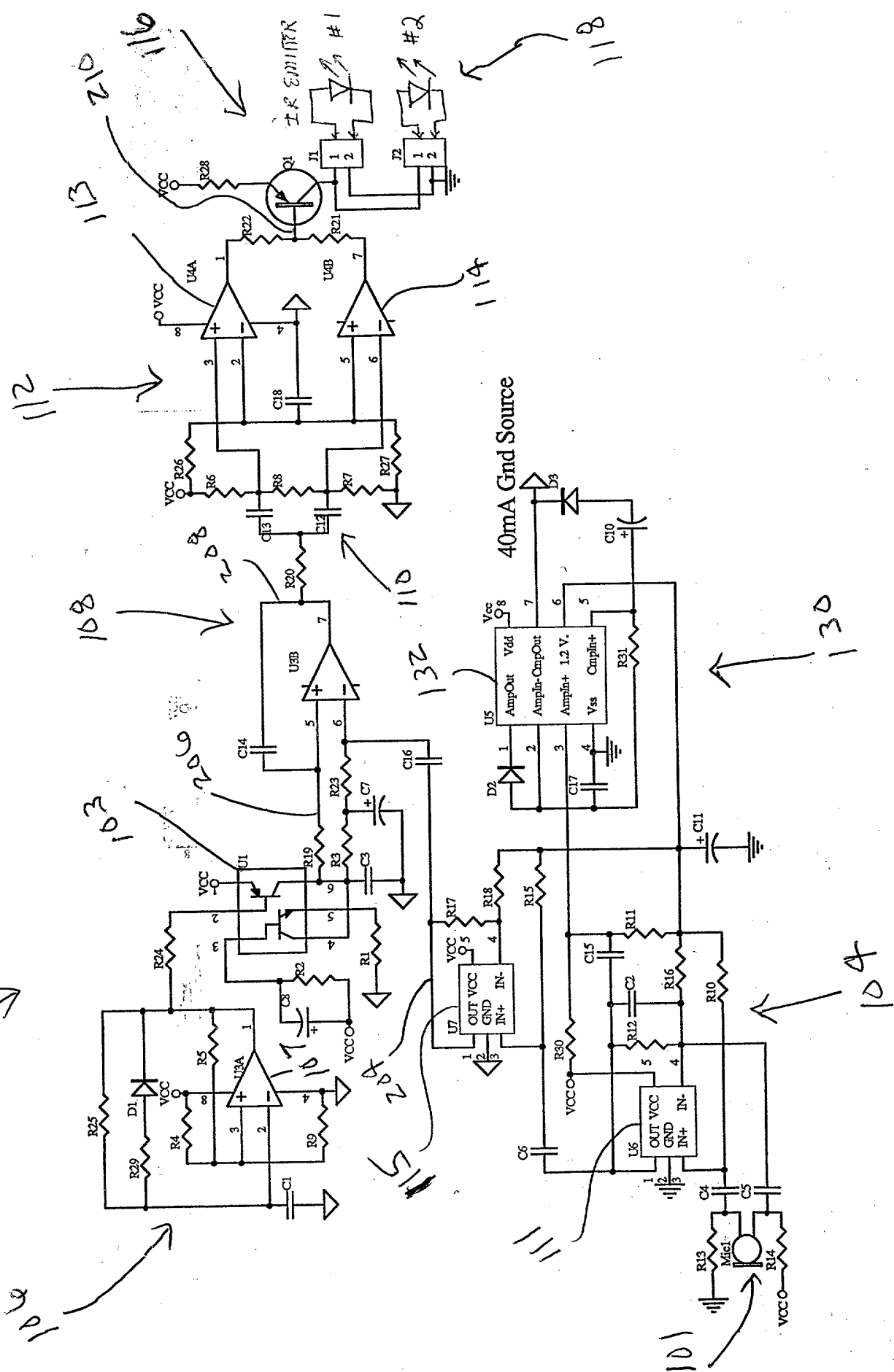


FIGURE 4

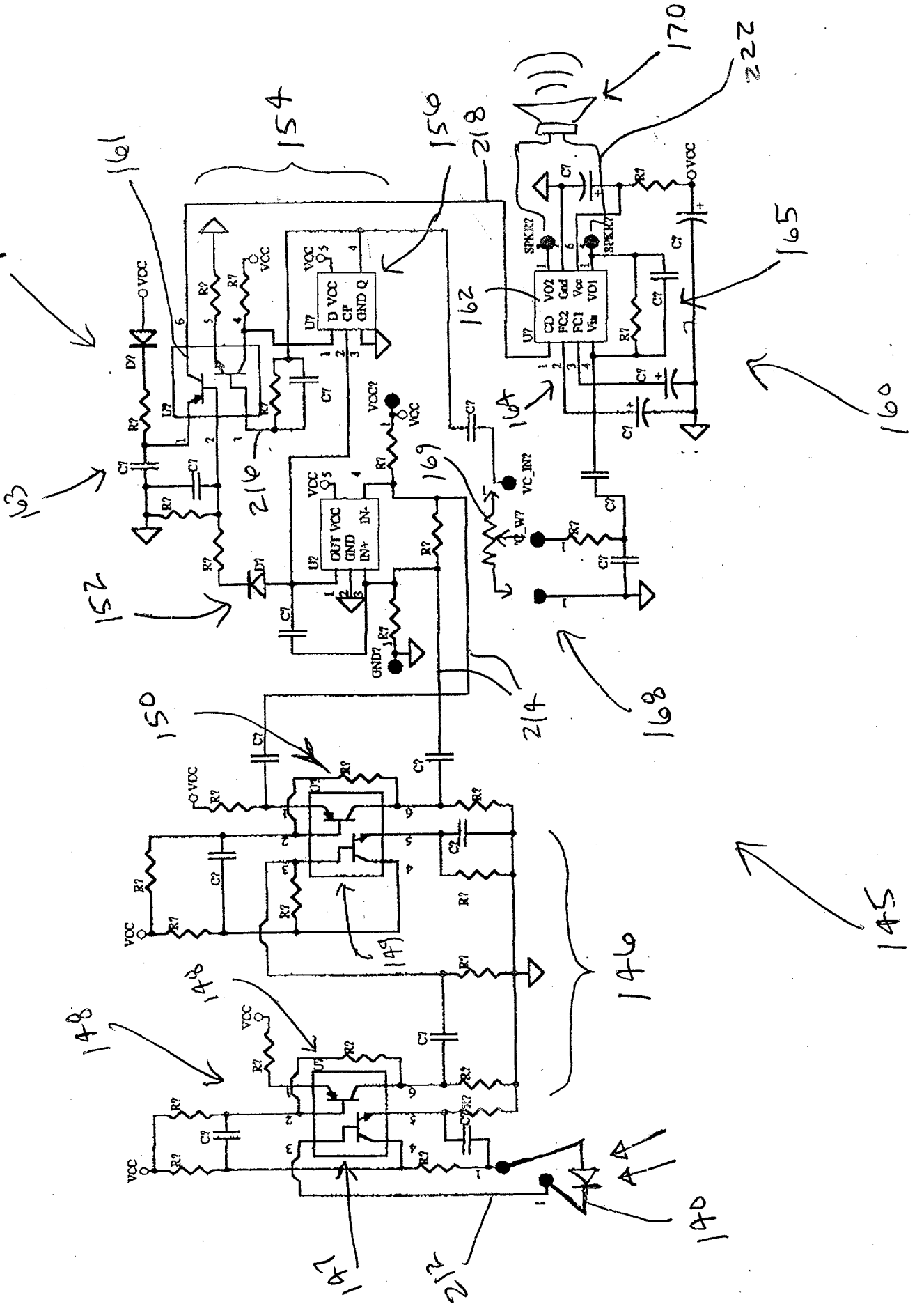


FIGURE 5

202

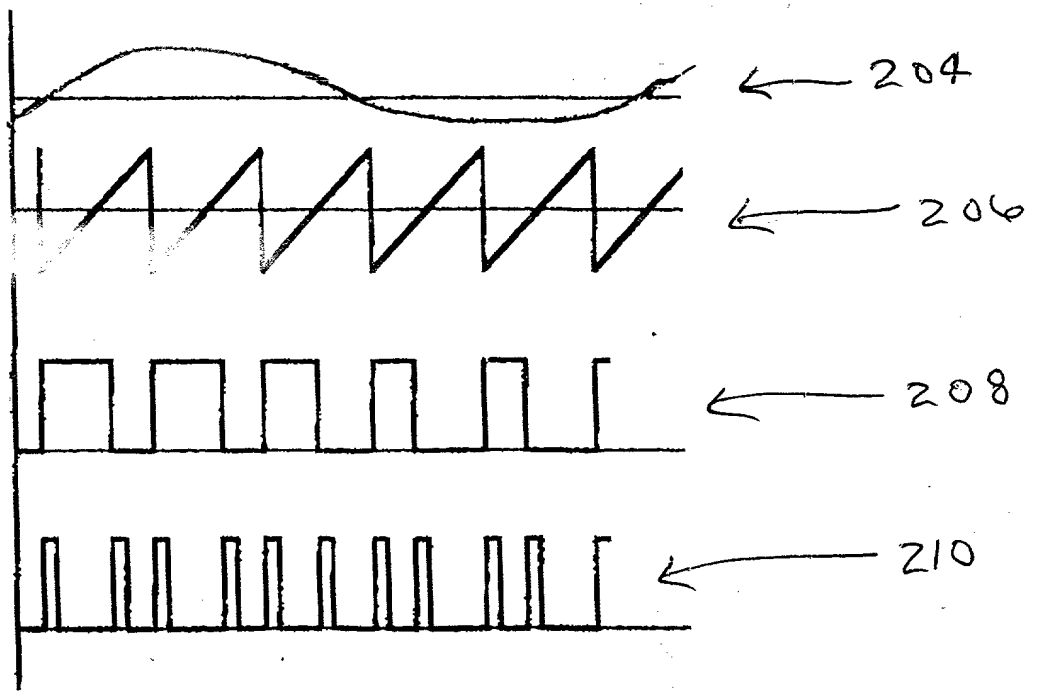


FIGURE 6

216

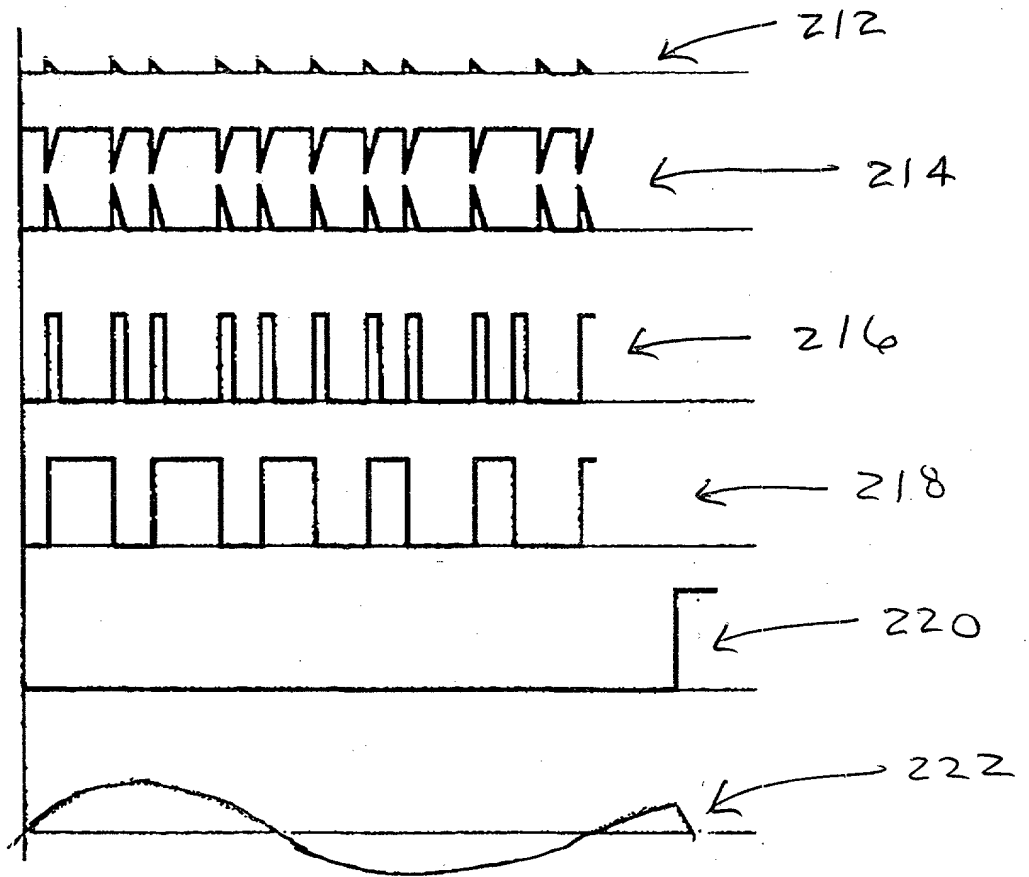
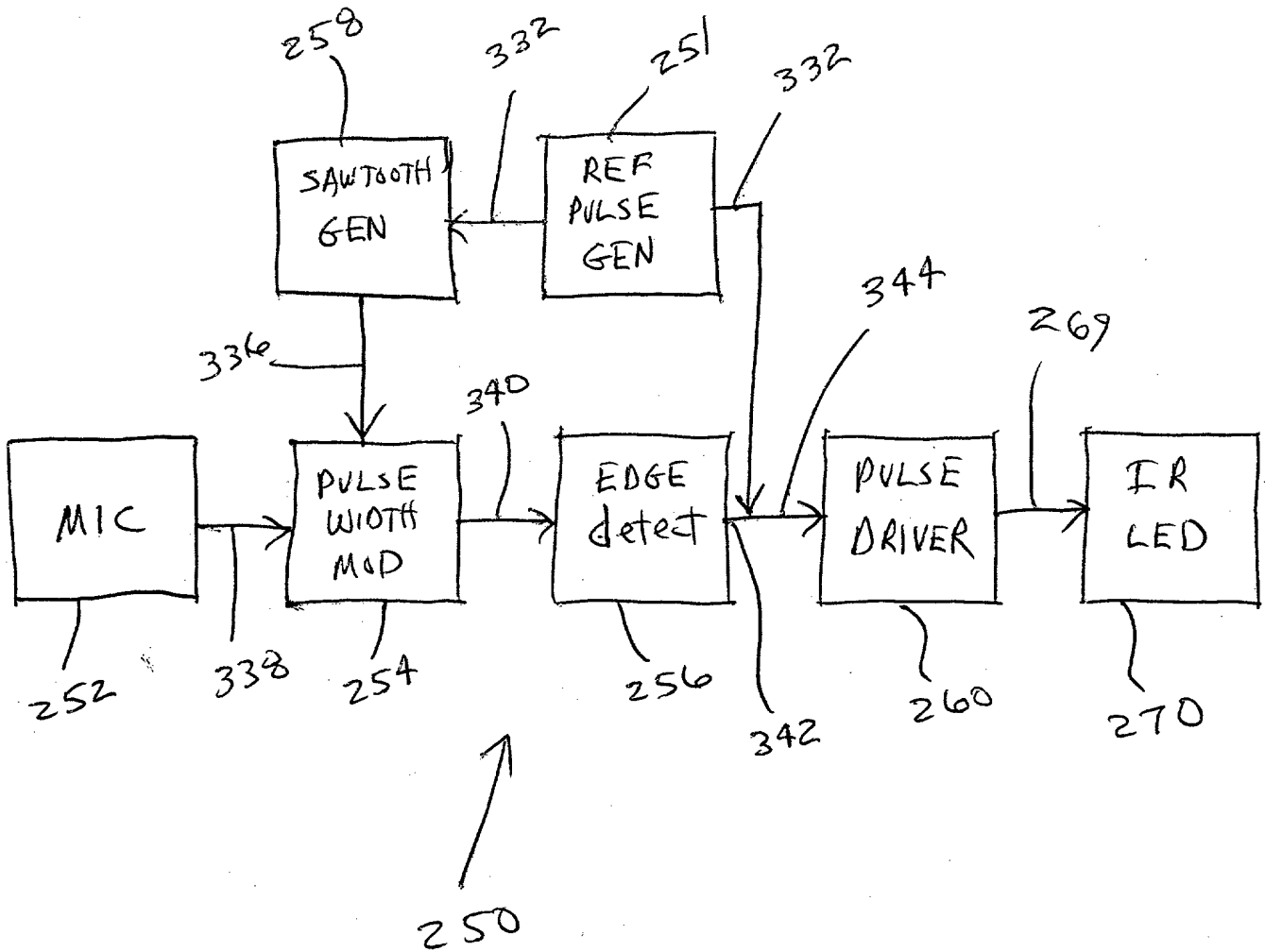


FIGURE 7A



004040 8024580

FIGURE 7B

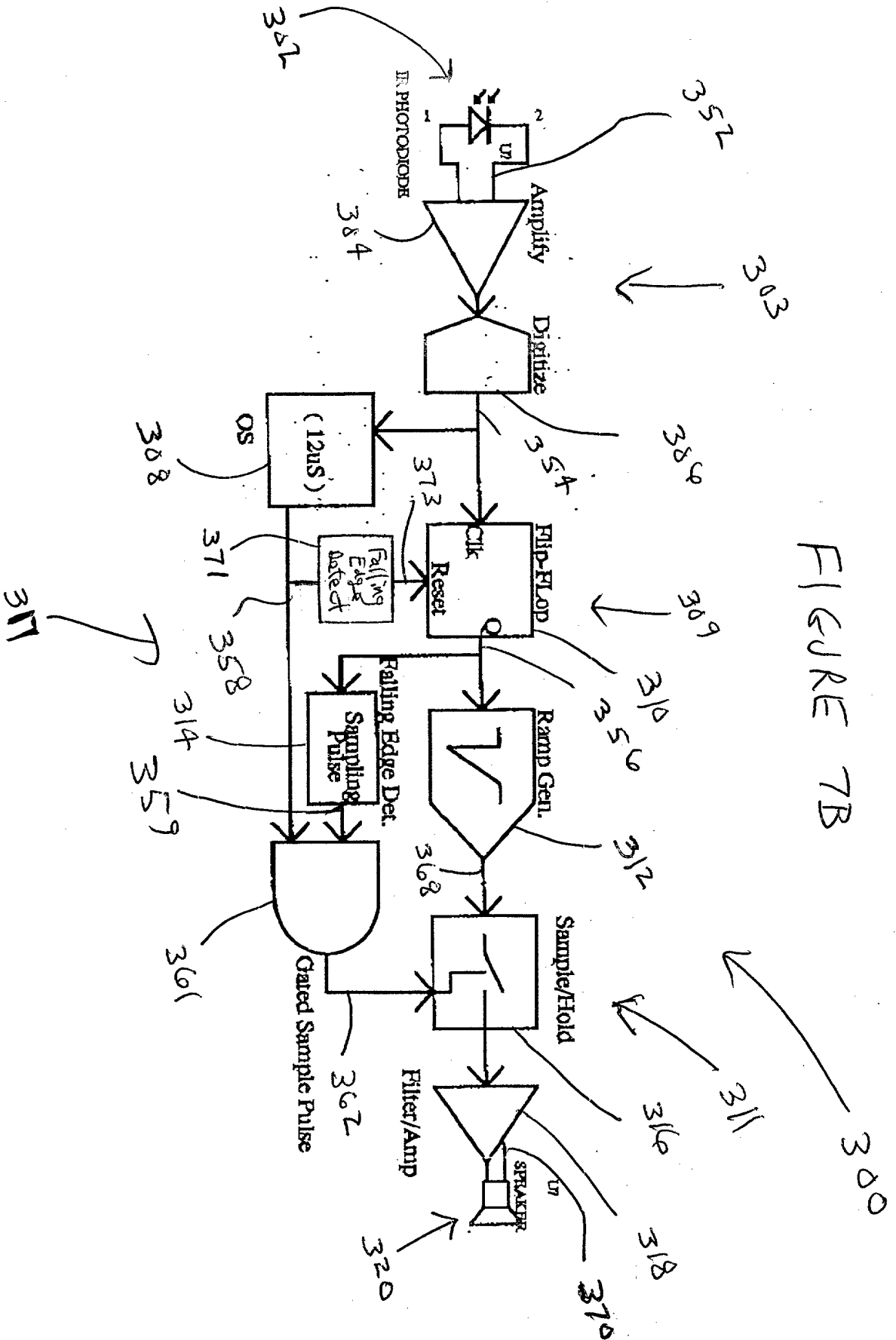
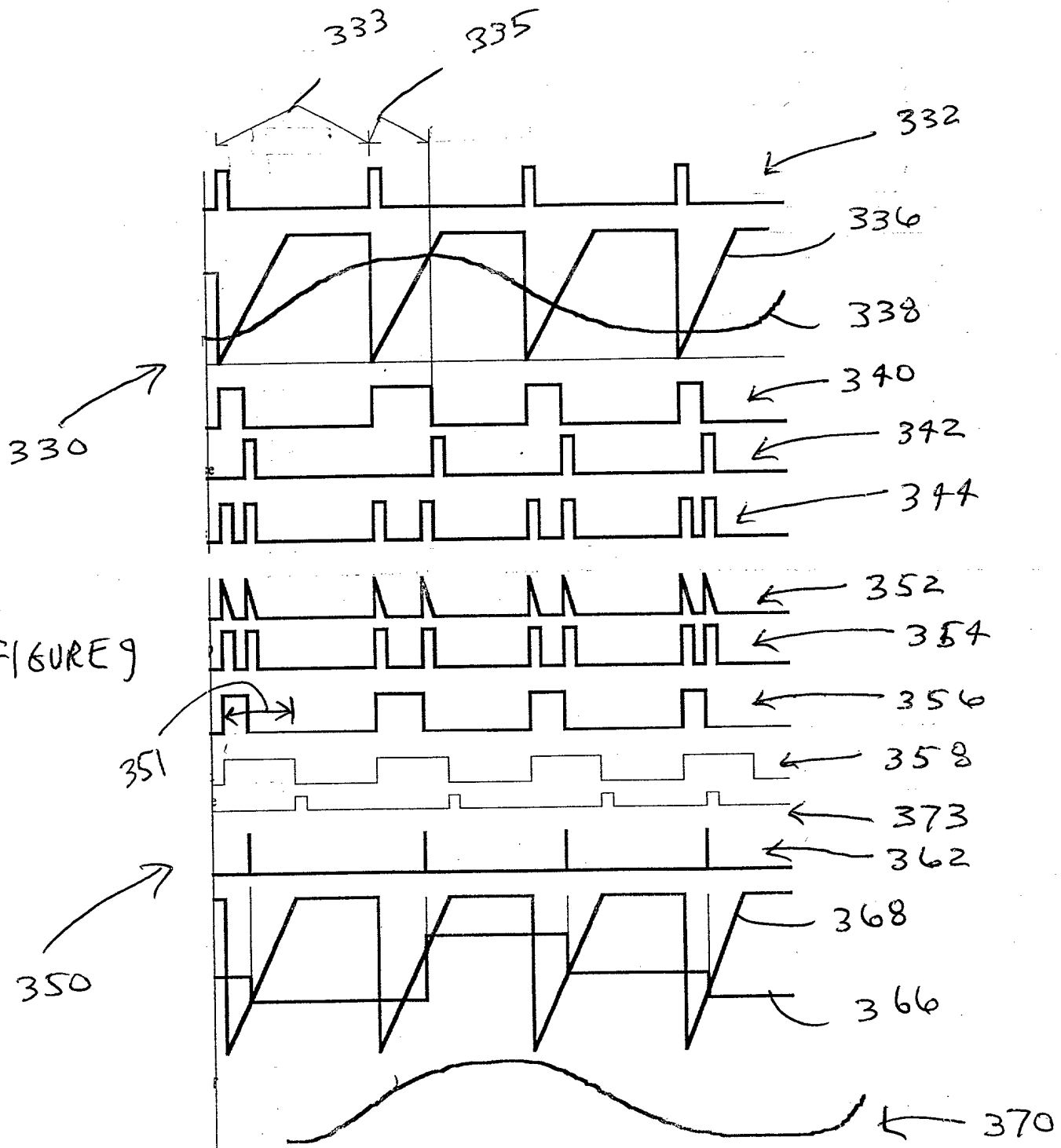


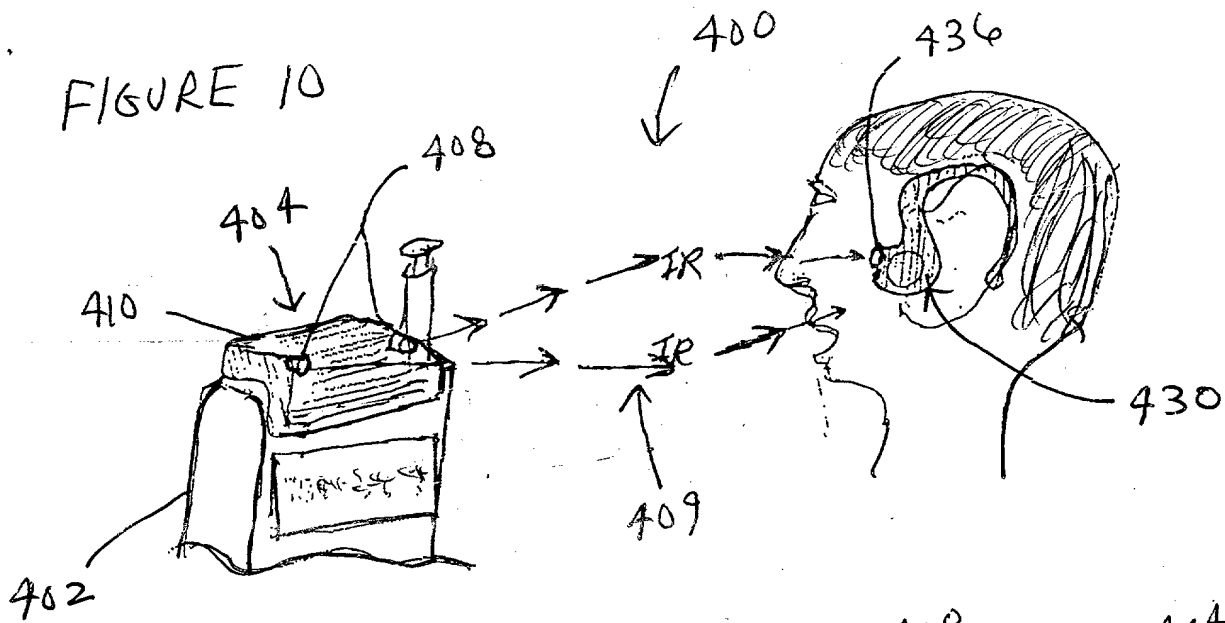
FIGURE 8



004040-8424560

FIGURE 9

FIGURE 10



004070-8024560

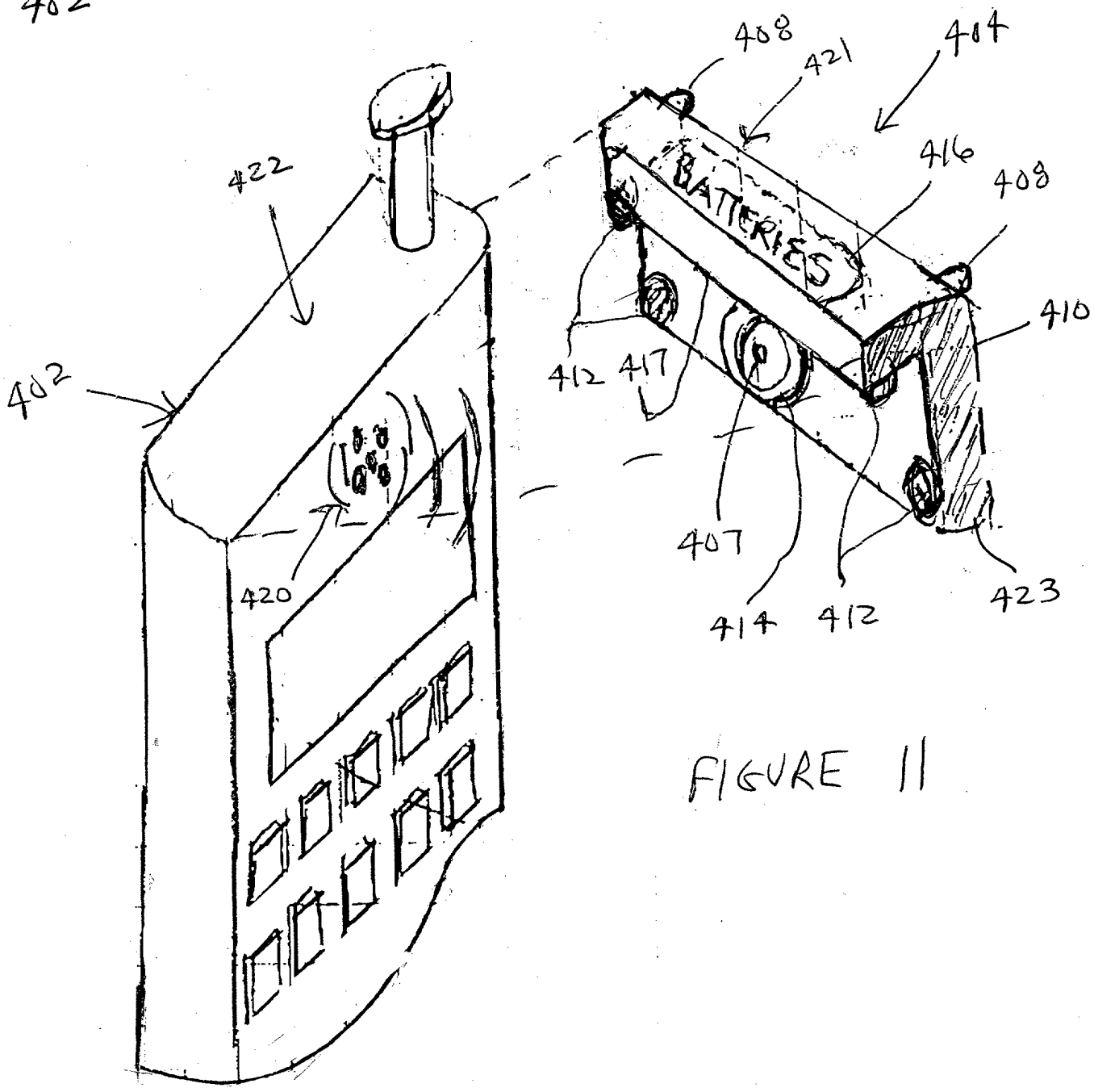


FIGURE 11

004040-8024560

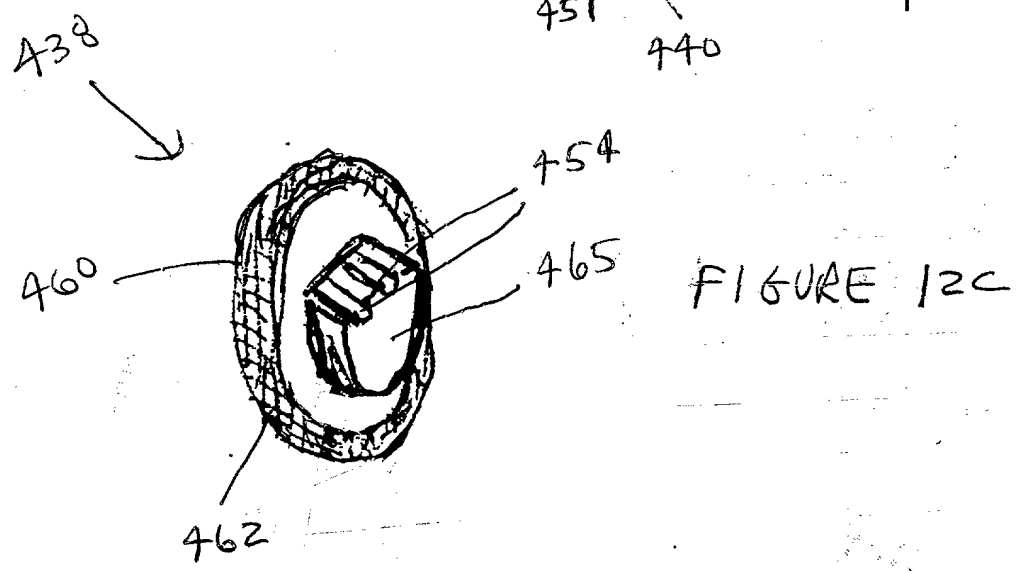
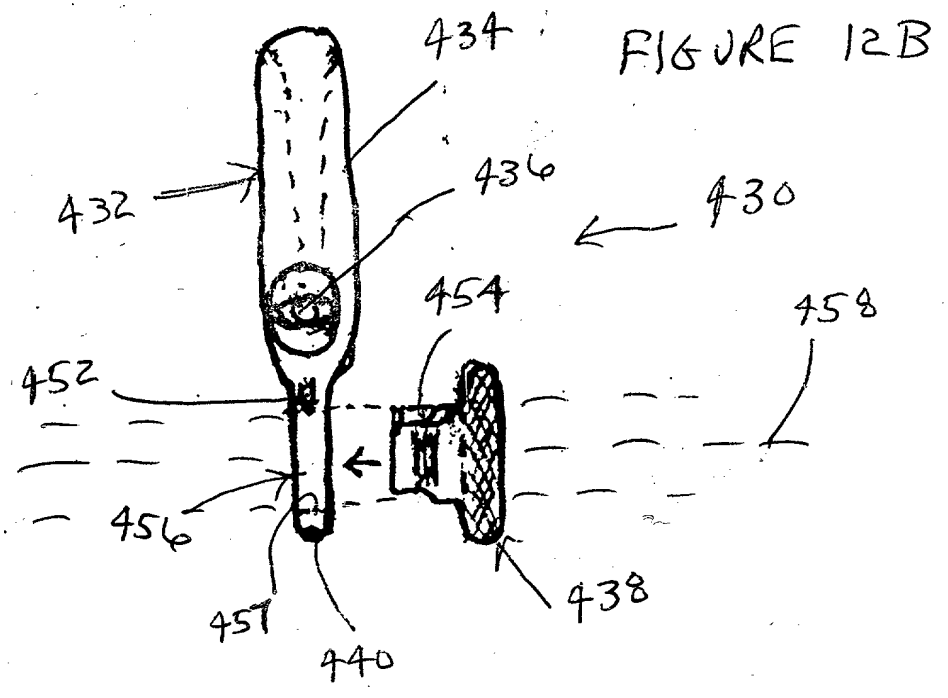
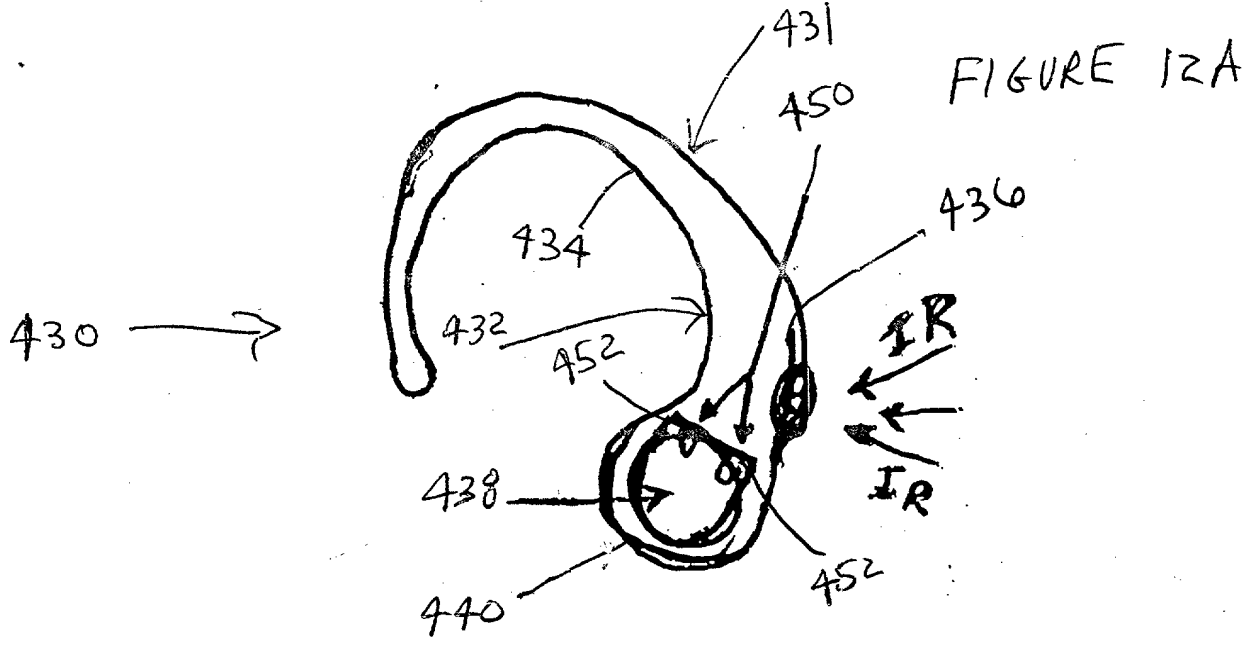
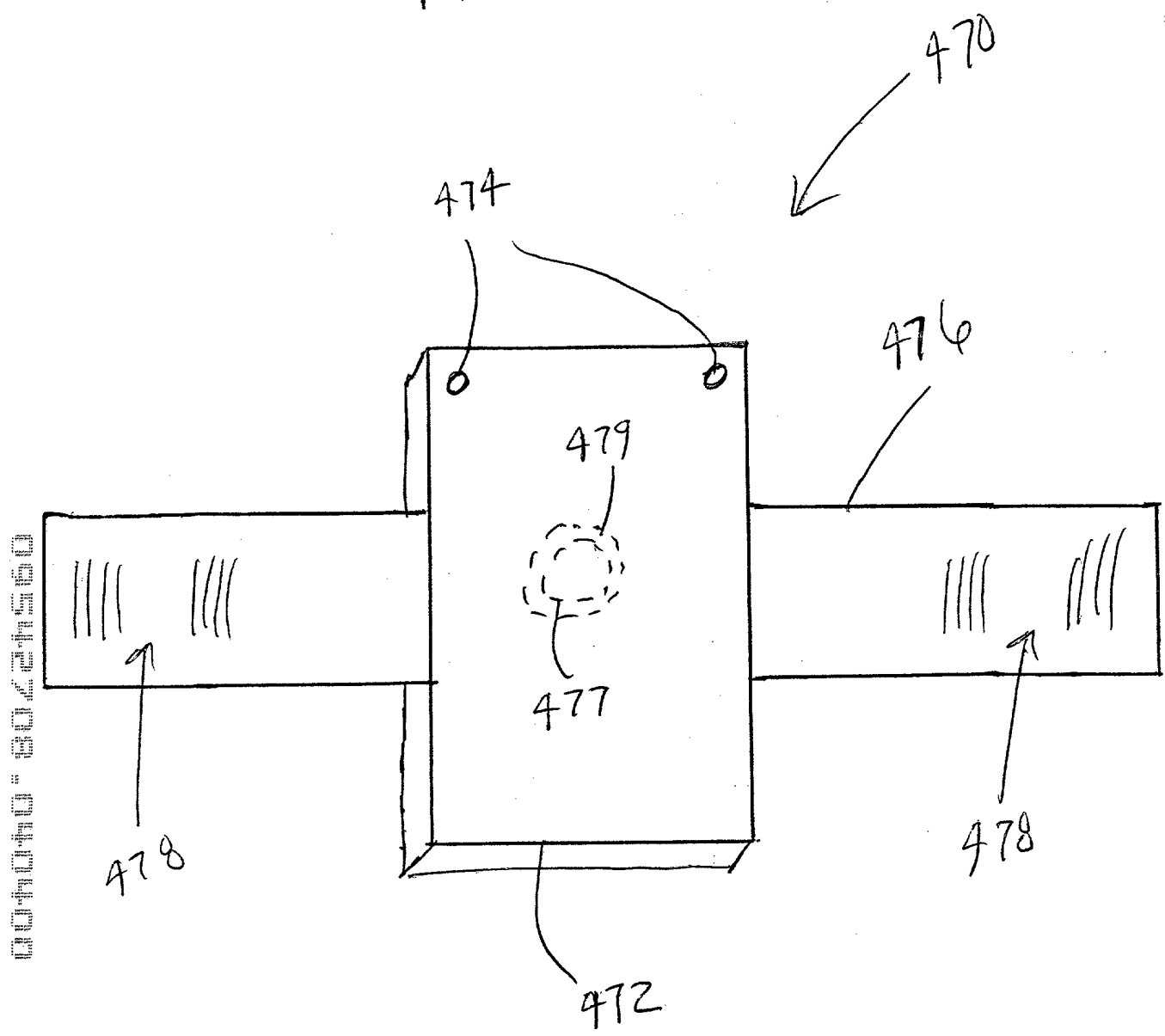


FIGURE 13



004040-3024560

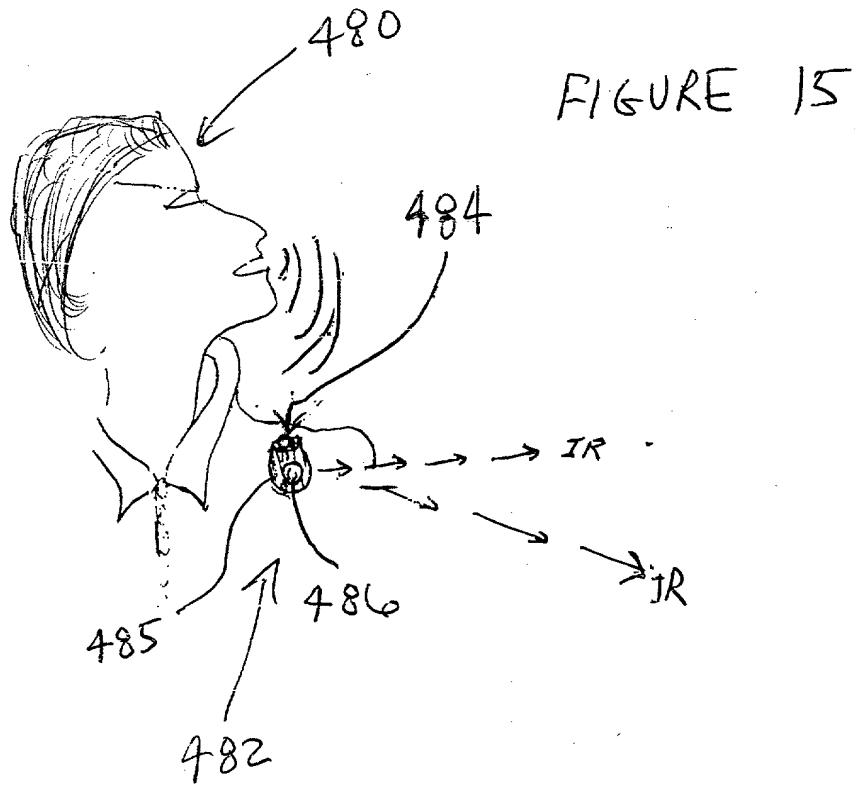
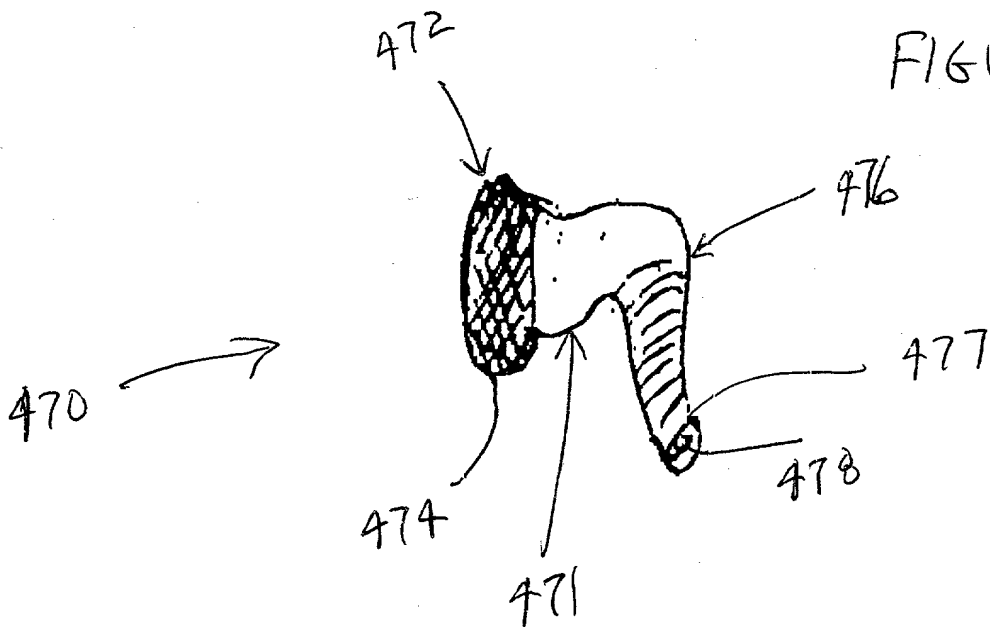


FIGURE 16A

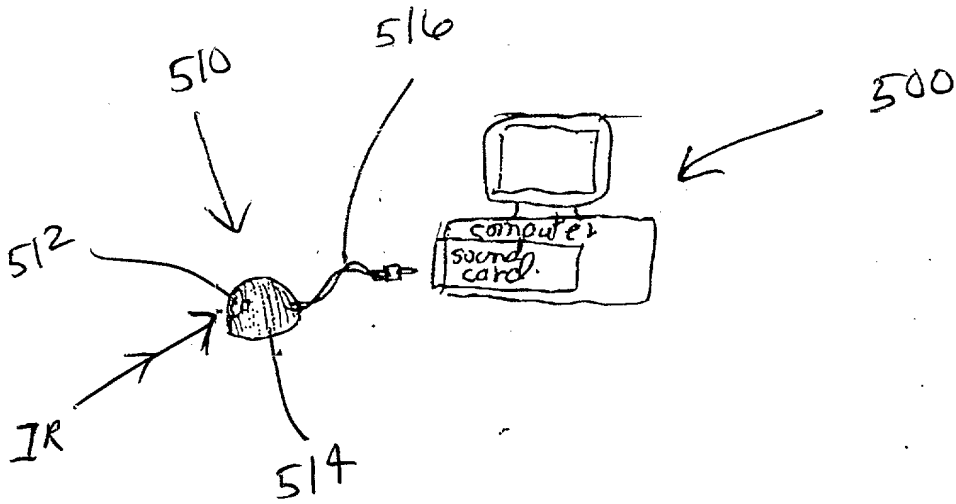
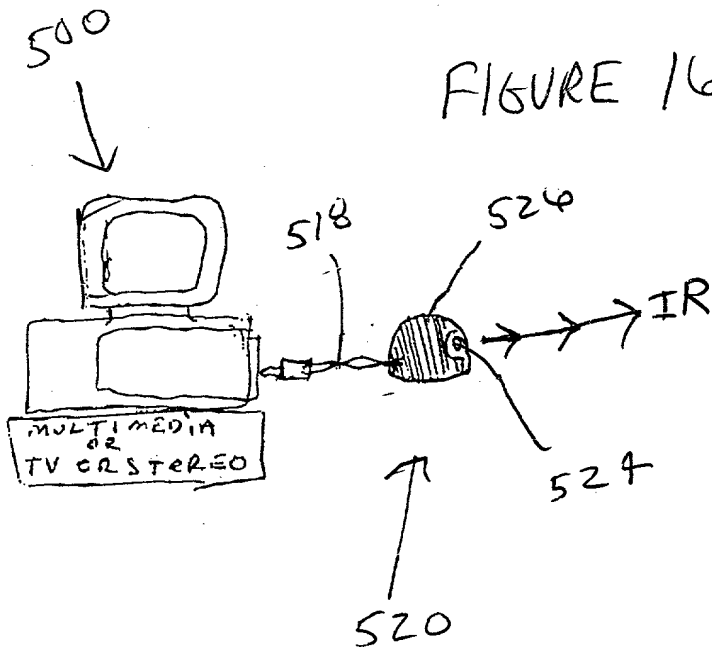


FIGURE 16B



004040-8024560

DECLARATION AND POWER OF ATTORNEY

We, Barry Voroba and Marlyn J. Anderson, declare that: (1) our respective citizenships and residence/post office addresses are indicated below; (2) we have reviewed and understand the contents of the specification identified below, including the claims, as amended by any amendment specifically referred to herein, (3) we believe that we are the original, first, and joint inventors of the subject matter in

LOW POWER INFRARED PORTABLE COMMUNICATION SYSTEM WITH WIRELESS RECEIVER AND METHODS REGARDING SAME

Filed: Herewith on 4 April 2000

Serial No.: unknown

described and claimed therein and for which a patent is sought; and (4) we hereby acknowledge our duty to disclose to the United States Patent and Trademark Office all information known to us to be material to the patentability as defined in Title 37, Code of Federal Regulations, §1.56.*

We hereby claim foreign priority benefits under Title 35, United States Code, §119(a)-(d) or §365(b) of any foreign application(s) for patent or inventor's certificate listed below, or §365(a) of any PCT international application which designates at least one country other than the United States of America listed below, and have also identified below any foreign application for patent or inventor's certificate, or any PCT international application having a filing date before that of the application on the basis of which priority is claimed:

- a. no such applications have been filed.
- b. such applications have been filed as follows:

FOREIGN APPLICATION(S), IF ANY, CLAIMING PRIORITY UNDER 35 USC §119(a)-(d), §365(a), and/or §365(b)			
COUNTRY	APPLICATION NUMBER	DATE OF FILING (day, month, year)	DATE OF ISSUE (day, month, year)

ALL FOREIGN APPLICATIONS, IF ANY, FILED BEFORE THE PRIORITY APPLICATION(S)			
COUNTRY	APPLICATION NUMBER	DATE OF FILING (day, month, year)	DATE OF ISSUE (day, month, year)

We hereby claim the benefit under Title 35, United States Code §119(e) of any United States provisional application(s) listed below.

- a. no such applications have been filed.
- b. such applications have been filed as follows:

PROVISIONAL APPLICATION(S), IF ANY, UNDER 35 USC §119(e)	
APPLICATION NUMBER	DATE OF FILING (day, month, year)

* Title 37, Code of Federal Regulations, §1.56 is reproduced on the attached page.

004440-3024560

Serial No. unknown

Filing Date: Herewith on 4 April 2000

Title: **LOW POWER INFRARED PORTABLE COMMUNICATION SYSTEM WITH WIRELESS RECEIVER AND METHODS REGARDING SAME**

We hereby claim the benefit under Title 35, United States Code, §120 of any United States applications or §365(c) of any PCT international application(s) designating the United States of America, listed below. Insofar as the subject matter of each of the claims of this application is not disclosed in the prior United States or PCT international application in the manner provided by the first paragraph of Title 35, United States Code, §112, we acknowledge the duty to disclose material information as defined in Title 37, Code of Federal Regulations, §1.56 which occurred between the filing date of the prior application and the national or PCT international filing date of this application:

- a. x no such applications have been filed.
- b. _ such applications have been filed as follows:

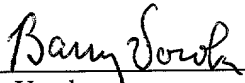
APPLICATION NUMBER	DATE OF FILING (day, month, year)	STATUS (patented, pending, abandoned)

We hereby appoint Ann M. Mueting (Reg. No. 33,977), Kevin W. Raasch (Reg. No. 35,651), Mark J. Gebhardt (Reg. No. 35,518), Victoria A. Sandberg (Reg. No. 41,287), David L. Provence (Reg. No. 43,022), Matthew W. Adams (Reg. No. 43,459), and Loren D. Albin (Reg. No. 37,763) our attorneys and agents with full powers (including the powers of appointment, substitution, and revocation) to prosecute this application and any division, continuation, continuation-in-part, reexamination, or reissue thereof, and to transact all business in the United States Patent and Trademark Office connected therewith.

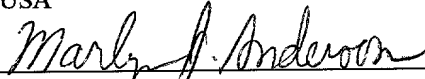
Please direct all correspondence in this case to:
 Attention: Mark J. Gebhardt
 Mueting, Raasch & Gebhardt, P.A.
 P.O. Box 581415
 Minneapolis, MN 55458-1415
 Telephone No. (612) 305-1220
 Facsimile No. (612) 305-1228

The undersigned declare further that all statements made herein of their own knowledge are true and that all statements made on information and belief are believed to be true; and further that these statements were made with the knowledge that willful false statements and the like so made are punishable by fine or imprisonment, or both, under Section 1001 of Title 18 of the United States Code and that such willful false statements may jeopardize the validity of the application or any patent issuing thereon.

Wherefore, we pray that Letters Patent be granted to us for the invention described and claimed in the specification identified above and we hereby subscribe our names to the foregoing specification and claims, Declaration and Power of Attorney, on the date indicated below.


April 4, 2000

 Name: Barry Voroba Date
 Address: 5509 Vine Hill Road South, Minnetonka, MN 55345
 Citizenship: USA


April 4, 2000

 Name: Marlyn J. Anderson Date
 Address: 3913 Brunswick Avenue South, St. Louis Park, Minnesota 55416
 Citizenship: U.S.A.

004400-302450

Serial No. unknown

Filing Date: Herewith on 4 April 2000

Title: **LOW POWER INFRARED PORTABLE COMMUNICATION SYSTEM WITH WIRELESS RECEIVER AND METHODS REGARDING SAME**

§ 1.56 Duty to disclose information material to patentability.

(a) A patent by its very nature is affected with a public interest. The public interest is best served, and the most effective patent examination occurs when, at the time an application is being examined, the Office is aware of and evaluates the teachings of all information material to patentability. Each individual associated with the filing and prosecution of a patent application has a duty of candor and good faith in dealing with the Office, which includes a duty to disclose to the Office all information known to that individual to be material to patentability as defined in this section. The duty to disclose information exists with respect to each pending claim until the claim is cancelled or withdrawn from consideration, or the application becomes abandoned. Information material to the patentability of a claim that is cancelled or withdrawn from consideration need not be submitted if the information is not material to the patentability of any claim remaining under consideration in the application. There is no duty to submit information which is not material to the patentability of any existing claim. The duty to disclose all information known to be material to patentability is deemed to be satisfied if all information known to be material to patentability of any claim issued in a patent was cited by the Office or submitted to the Office in the manner prescribed by §§1.97(b)-(d) and 1.98. However, no patent will be granted on an application in connection with which fraud on the Office was practiced or attempted or the duty of disclosure was violated through bad faith or intentional misconduct. The Office encourages applicants to carefully examine:

- (1) Prior art cited in search reports of a foreign patent office in a counterpart application, and
- (2) The closest information over which individuals associated with the filing or prosecution of a patent application believe any pending claim patentably defines, to make sure that any material information contained therein is disclosed to the Office.

(b) Under this section, information is material to patentability when it is not cumulative to information already of record or being made of record in the application, and

- (1) It establishes, by itself or in combination with other information, a prima facie case of unpatentability of a claim; or
- (2) It refutes, or is inconsistent with, a position the applicant takes in:
 - (i) Opposing an argument of unpatentability relied on by the Office, or
 - (ii) Asserting an argument of patentability.

A prima facie case of unpatentability is established when the information compels a conclusion that a claim is unpatentable under the preponderance of evidence, burden-of-proof standard, giving each term in the claim its broadest reasonable construction consistent with the specification, and before any consideration is given to evidence which may be submitted in an attempt to establish a contrary conclusion of patentability.

(c) Individuals associated with the filing or prosecution of a patent application within the meaning of this section are:

- (1) Each inventor named in the application;
- (2) Each attorney or agent who prepares or prosecutes the application; and
- (3) Every other person who is substantively involved in the preparation or prosecution of the application and who is associated with the inventor, with the assignee or with anyone to whom there is an obligation to assign the application.

(d) Individuals other than the attorney, agent or inventor may comply with this section by disclosing information to the attorney, agent, or inventor.

00440-3024560